



JUKI
Union Special

2 and 3-Needle Cylinder Bed Coverstitch Machine

MFC7000 Series

MFC-7600-C02 MFC-7400-E11, MFC-7600-E11, MFC-7400-E61, MFC-7600-E61,
MFC-7400-H01, MFC-7600-H01, MFC-7400-H11, MFC-7600-H11, MFC-7400-H21,
MFC-7600-H21, MFC-7400-H31, MFC-7600-H31, MFC-7400-K01, MFC-7600-K01,
MFC-7400-K02, MFC-7600-K02, MFC-7600-U03, MFC-7400-U06, MFC-7600-U06

PARTS LIST

HOW TO MAKE USE OF THIS PARTS LIST

1. Codes on the "Amt. Req." column
 - Each numeral indicates the number of parts required.
 - "0.1" and "2.5" indicate the length (in meters) of the respective parts.
2. Parentheses mean that the corresponding part is a subpart that constructs an assembly part.
3. Dotted lines on the Figures indicate assembly parts.

Manual No. PT0108 Illustrated Parts List for MFC7000 Series Machines

First Edition Copyright 2001

By

Union Special Corporation Rights Reserved In All Countries

Printed in U.S.A. September 2001

PREFACE

This parts manual has been prepared to assist you in locating individual parts or assemblies on MFC7000 Series machines.

IDENTIFICATION OF MACHINES

Each UNION SPECIAL machine is identified by a style number, which is stamped into the style plate affixed to the middle of the machine under the tension assembly. The serial number is stamped into the serial number plate affixed to the right rear base of the machine.

SAFETY RULES

1. Before putting the machines described in this manual into service, carefully read the instructions. The starting of each machine is only permitted after taking notice of the instructions and by qualified operators.

IMPORTANT! Before putting the machine into service, also read the safety rules and instruction from the motor supplier.

2. Observe the national safety rules valid for your country.
3. The sewing machines described in this instruction manual are prohibited from being put into service until it has been ascertained that the sewing units which these sewing machines will be built into, have conformed with the EC Council Directives (89/392/EEC, Annex II B).

Each machine is only allowed to be used as foreseen. The foreseen use of the particular machine is described in paragraph "STYLES OF MACHINES" of this instruction manual. Another use, going beyond the description, is not as foreseen.

4. All safety devices must be in position when the machine is ready for work or in operation. Operation of the machine without the appertaining safety devices is prohibited.
5. Wear safety glasses.
6. In case of machine conversions and changes all valid safety rules must be considered. Conversions and changes are made at your own risk.
7. The warning hints in the instructions are marked with one of these two symbols:



8. When doing the following the machine has to be disconnected from the power supply by turning off the main switch or by pulling out the main plug:
 - 8.1 When threading needle(s), looper, spreader etc.
 - 8.2 When replacing any parts such as needle(s), presser foot, throat plate, looper, spreader, feed dog, needle guard, folder, fabric guide etc.
 - 8.3 When leaving the workplace and when the workplace is unattended.
 - 8.4 When doing maintenance work.
 - 8.5 When using clutch motors without actuation lock, wait until the motor is stopped totally.
9. Maintenance, repair and conversion work (see item 8) must be done only by trained technicians or special skilled personnel under consideration of the instructions.
10. Any work on the electrical equipment must be done by an electrician or under direction and supervision of special skilled personnel.
11. Work on parts and equipment under electrical power is not permitted. Permissible exceptions are described in the applicable sections of standard sheet DIN VDE 0105.
12. Before doing maintenance and repair work on the pneumatic equipment, the machine has to be disconnected from the compressed air supply. In case of existing residual air pressure after disconnecting from compressed air supply (i.e. pneumatic equipment with air tank), the pressure has to be removed by bleeding.

MFC7605A-H11-B56/PL1/UT5

| Stitch Type | Code |
|------------------------------------|------|
| 2-Needle Bottom Cover Stitch | 406 |
| 3-Needle Bottom Cover Stitch | 407 |
| 2-Needle Top & Bottom Cover Stitch | 602 |
| 3-Needle Top & Bottom Cover Stitch | 605 |

| Code | Destination Type |
|-------|--------------------|
| Blank | Japan |
| A | Western Hemisphere |
| U | South East Asia |
| T | Europe |

| Stitch Length | | | |
|---------------|--------------------------|--------------------------|---|
| Code | 2 Needle | 3 Needle | Application |
| A | 1.6-2.1mm (12-16 SPI) | 1.6-2.1mm (12-16 SPI) | Hemmer Lapseamer |
| B | — | 1.8-2.5mm (10-14 SPI) | Hemmer Lapseamer Collarett (C02) Universal |
| C | 1.8-3.2mm (8-14 SPI) | 2.5-3.2mm (8-10 SPI) | Hemmer Lapseamer |
| D | 1.6-3.2mm (8-16 SPI) | 1.6-3.2mm (8-16 SPI) | Elastic & Coverseam |

| Application | Description of Subclass | Code |
|----------------------|--|------|
| Collarett | Converts to Hemming (U06) or coverseam (U03) | C02 |
| Elastic Applications | Fabric Undertrimmer | E11 |
| Elastic Applications | Fabric Undertrimmer, with Puller | E61 |
| Hemming | Basic Style with Hem Guide | H01 |
| Hemming | Puller with Rollers & Hem Guide | H11 |
| Hemming | Left Hand Fabric Trimmer | H21 |
| Hemming | Left Hand Fabric Trimmer with Puller | H31 |
| Coverseam | Standard Seam Guide for Light Weight Fabrics | K01 |
| Coverseam | Adjustable Seam Guides for Med to Heavy Weight Fabrics | K02 |
| Universal | Coverseaming Parts Standard | U03 |
| Universal | Hemming Parts Standard | U06 |

| Gauge | Metric | Inches | Old |
|-------|--------|--------|-----|
| 32 | 3.2mm | 1/8" | 8 |
| 40 | 4.0mm | 5/32" | 10 |
| 48 | 4.8mm | 3/16" | *12 |
| 56 | 5.6mm | 7/32" | *14 |
| 64 | 6.4mm | 1/4" | *16 |

*NOTE: Old coverstitch needle spacing for knitwear were actually 1/64" less than the gauge indicated.

| | |
|-------|--|
| Blank | Non Puller |
| PL1 | Clutch Driven Rear Puller Roller With Teeth |
| PL1S | Clutch Driven Rear Puller with Smooth Roller |

| | |
|-------|--|
| Blank | Non Device |
| UT1 | Electromagnetic type, needle thread wiper & auto presser foot lift |
| UT2 | Electromagnetic type, cover thread trim & auto presser foot lift |
| UT3 | Pneumatic type, needle thread wiper & auto presser foot lift |
| UT4 | Pneumatic type, needle thread blower & auto presser foot lift |
| UT5 | Pneumatic type, top cover thread trimmer & auto presser foot lift |
| UT6 | Electromagnetic type & auto presser foot Lift (Non Puller styles only) |
| SC1 | Stitch Condensing |

IDENTIFICATION OF MACHINES

Precision two and three needle cylinder bed machines, with top and bottom coverstitch or bottom coverstitch only. Rotary mainshafts for smoother, quieter and faster operations. Equipped with quick change for main and differential feed. Independently driven rear needle guard, no adjustment necessary when changing stitch length. Adjustable looper avoid eccentric to adapt two looper avoid motion and the elliptic path of the looper to the required needle size and type of sewing threads. Recommended needle 128GBS, needle range 065/025-090/036

- C02 COLLARETTE—Two and three needle top and bottom coverstitch machines. For attaching binding to the legs of briefs, collars to T-shirts & Collars and arm openings to A-shirts, etc. Stitch & specifications: two needle 602BSb-1, for three needle 605BSb-1, Standard gauge for two needles 40, (4.0mm) & 48, (4.8mm), for three needle 56, (5.6mm) & 64, (6.4mm). Machines convert easily to Hemmer or Coverseam with optional parts. Maximum recommended speed, depending on operation is up to 6500RPM
- E11 ELASTIC—Two and three needle bottom coverstitch and two and three needle top and bottom coverstitch machines, with right hand fabric trimmer. For attaching pre-closed elastic rings to the waists of briefs and panties. Stitch & seam specifications: two and three needle bottom coverstitch 406LSa-1 & 407LSa-1, two and three needle top and bottom coverstitch 602LSa-1 & 605LSa-1. Standard gauge for two needles 40, (4.0mm) & 48, (4.8mm), for three needles 56, (5.6mm) & 64, (6.4mm). Maximum recommended speed, depending on operation is up to 5500RPM
- E61 ELASTIC—Same as E11 except equipped with PL1 or PL1S rear puller.
- H01 HEMMING— Two and three needle bottom coverstitch and two and three needle top and bottom coverstitch machines with adjustable hem guides. For circular or flat hemming operations on light, medium and heavy weight knit fabrics. Stitch & seam specifications: two and three needle bottom coverstitch 406EFa-1 (inv) & 407EFa-1 (inv), two and three needle top and bottom coverstitch 602EFa-1(inv) & 605EFa-1(inv) Standard gauge for two needles 32, (3.2mm) 40, (4.0mm) & 48, (4.8mm), for three needles 56, (5.6mm) & 64, (6.4mm). Maximum recommended speed, depending on operation is up to 6500RPM
- H11 HEMMING—Same as H01 except equipped with PL1 or PL1S rear puller and maximum speed of 5500RPM
- H21 HEMMING—Same as H01 except equipped with left hand knife fabric trimmer and maximum speed of 5500RPM
- H31 HEMMING—Same as H21 except equipped with PL1 or PL1S rear puller.
- K01 COVERSEAMING—Two needle bottom coverstitch and two and three needle top and bottom coverstitch machines with stationary seam guide. For the second operation to coverseam overedge seams on the neck, shoulder and waist of light to medium weight knit garments. Stitch & seam specifications: two needle bottom coverstitch 406SSh-2, two and three needle top and bottom coverstitch 602SSh-2 & 605SSh-2. Standard gauge for two needles 48, (4.8mm) 56, (5.6mm) & 64, (6.4mm) for three needles 56, (5.6mm) & 64, (6.4mm). Maximum recommended speed, depending on operation is up to 6500RPM
- K02 COVERSEAMING—Same as K01 except with adjustable seam guides and for medium to heavy weight knit garments.
- U03 UNIVERSAL/COVERSEAMING—Three needle bottom coverstitch and three needle top and bottom coverstitch machines, with low cost adjustable coverseam guides. For general coverseaming of medium to heavy weight knit garments. Stitch & seam specifications: three needle bottom coverstitch 407SSh-2, three needle top and bottom coverstitch 605SSh-2. Standard gauge 56, (5.6mm) & 64, (6.4mm). Machine converts easily to Hemmer or Collarette with optional parts. Maximum recommended speed, depending on operation is up to 6500RPM
- U06 UNIVERSAL/HEMMING— Two and three needle bottom coverstitch and two and three needle top and bottom coverstitch machines with adjustable hem guides. For general hemming of light, medium and heavy weight knit garments. Stitch & seam specifications: two and three needle bottom coverstitch 406EFa-1 (inv) & 407EFa-1 (inv) two and three needle top and bottom coverstitch 602EFa-1(inv) & 605EFa-1(inv) Standard gauge for two needles 48, (4.8mm), for three needles 56, (5.6mm) & 64, (6.4mm). Machine converts easily to Coverseam or Collarette with optional parts. Maximum recommended speed, depending on operation is up to 6500RPM

ILLUSTRATIONS

This manual has been arranged to simplify ordering repair parts. Exploded views of various sections of the mechanism are shown so that the parts may be seen in their actual position in the machine. On the page opposite the illustration will be found a listing of the parts with their part numbers, description and the number of pieces required in the particular view being shown.

Numbers in the first column are reference numbers only, and merely indicate the position of the part in the illustration. The reference number should never be used in ordering parts. Always use the part number listed in the second column.

Component parts of sub-assemblies which can be furnished for repairs are indicated by indenting their descriptions under the description of the main sub-assembly. As an example refer to the following text.

| | | | |
|----|-------------|---|---|
| 5. | 50366B | Needle Thread Strike-Off Assembly | 1 |
| 6. | 50358V | Needle Thread Strike-Off | 1 |
| 7. | 50370F | Thread Strike-Off Component | 1 |
| 8. | SS7060310SP | Screw, for plate strike-off | 1 |

When a part is common to all machines covered in this manual, no specific usage will be mentioned in the description. However, when the parts for the various machines are not the same, the specific usage will be mentioned in the description and, if necessary, the difference will be shown in the illustration.

*NOTE: Ref. No. showing no Part No. is for location only. Part is not for sale separately.

A numerical index of all the parts shown in this manual is located at the back. This will facilitate locating the illustration and description when only a part number is known.

IDENTIFYING PARTS

Where construction permits, each part is stamped with its part number. On some of the smaller parts and on those where construction does not permit, an identification letter is stamped in to distinguish the part from similar ones.

PLEASE NOTE: Part numbers represent the same part, regardless of which manual they appear. On all orders please include part number, name and style of machine for which the part was ordered.

For optimum performance use only genuine Union Special replacement parts.

NEEDLES

Each needle has both a type and size number. The type number denotes the kind of shank, point, length, groove, finish and other details. The size number, stamped on the needle shank, denotes the largest diameter of the blade measured between the shank and the eye. Collectively, the type number and size number represent the complete symbol which is given on the label of all needles packed and sold by Union Special.

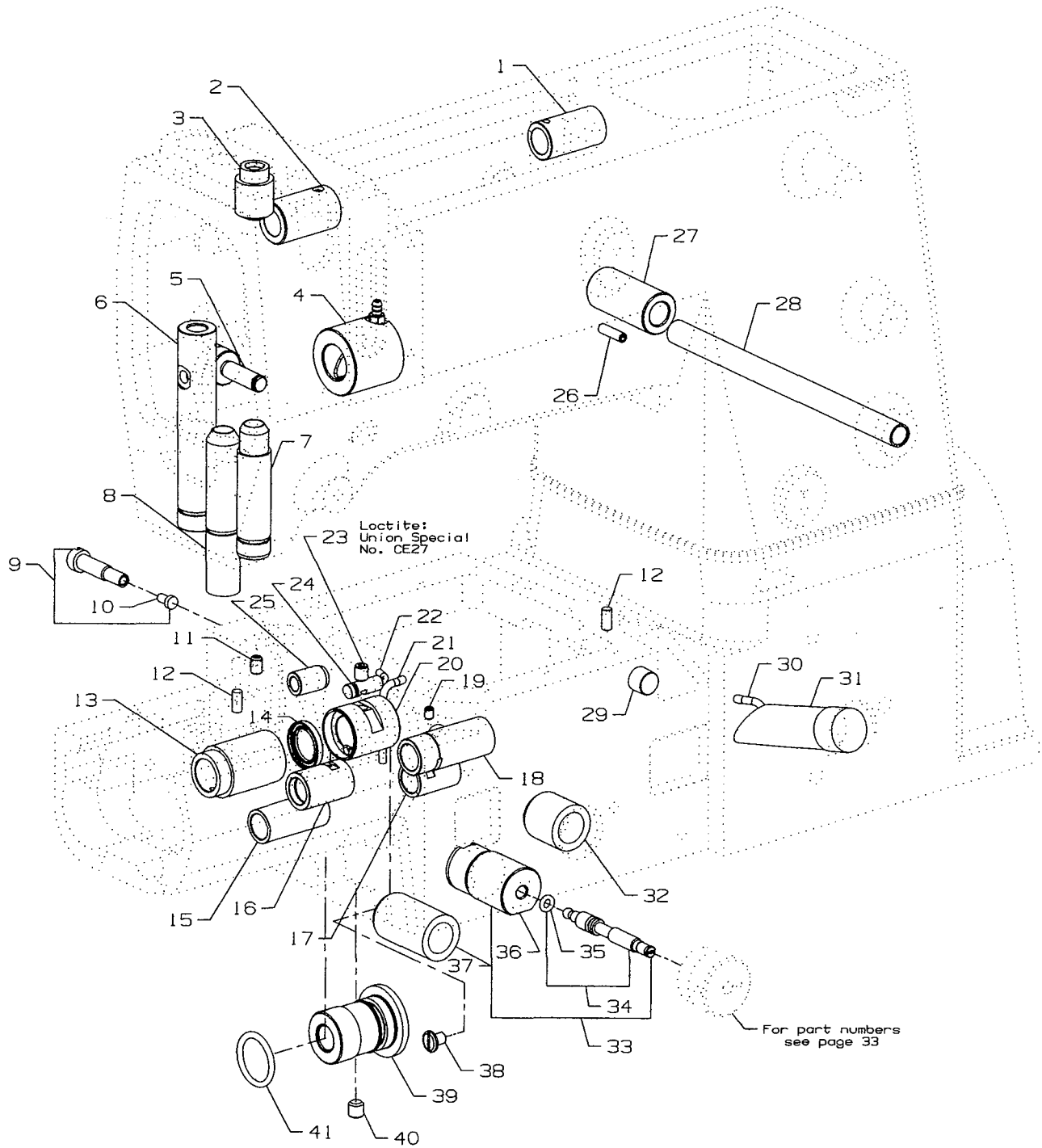
| <u>TYPE</u> | <u>DESCRIPTION</u> |
|-------------|--|
| 128 GBS | Short, double groove, struck groove, ball eye, spotted, ball point, chromium plated- Sizes available 055/022, 065/025, 070/027, 075/029, 080/032, 090/036. |

When changing the needle, make sure it is fully inserted in the holder before the screw is tightened.

When ordering needles, please use the complete type and size numbers as printed on the package to ensure prompt and accurate processing of your order. A complete order should read as follows: "100 needles, type 128 GBS, size 075/029".

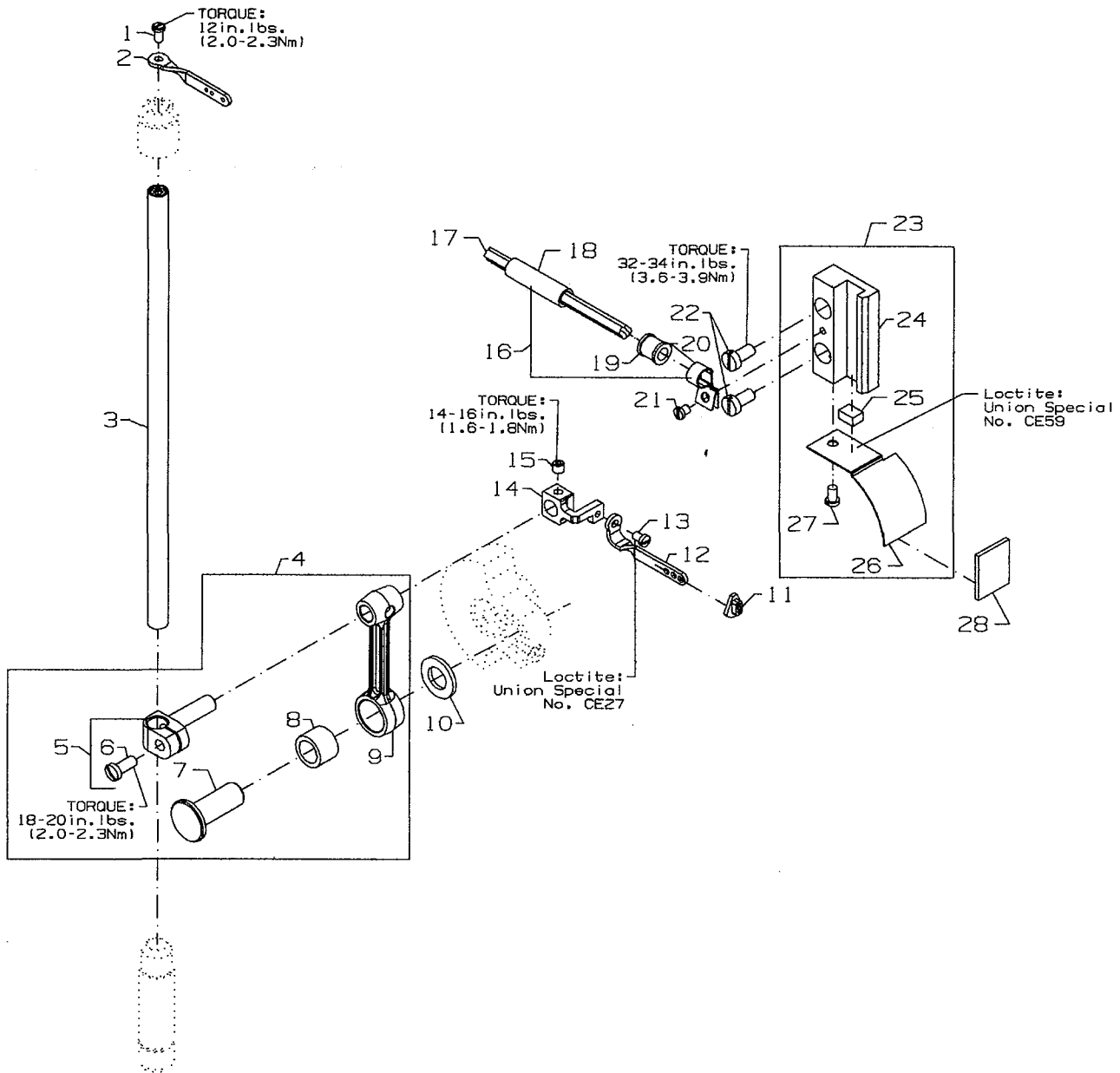
CONTENTS

| | |
|---|----|
| PREFACE | 2 |
| IDENTIFICATION OF MACHINES | 2 |
| SAFETY RULES | 3 |
| MFC7000 SERIES NUMBERING SYSTEM | 4 |
| IDENTIFICATION OF MACHINES | 5 |
| ILLUSTRATIONS | 6 |
| IDENTIFYING PARTS..... | 6 |
| NEEDLES | 6 |
| BUSHINGS | 9 |
| NEEDLE BAR | 11 |
| UPPER MAIN SHAFT | 13 |
| SPREADER | 15 |
| THREAD GUIDE | 17 |
| PRESSER FOOT LIFT | 21 |
| COVERS, UPPER ARM | 23 |
| LOWER MAIN SHAFT | 25 |
| LUBRICATION, OIL TUBING & OIL PUMP | 27 |
| LOOPER DRIVE | 29 |
| LOOPER THREAD TAKE -UP & NEEDLE GUARD | 31 |
| FEED DRIVE MECHANISM | 33 |
| FEED DRIVE MECHANISM | 35 |
| COVERS LOWER BED- FRONT FOR H01, H11, K01, K02, U03 | 37 |
| COVERS FOR E11, E61 | 39 |
| COVERS LOWER BED- MIDDLE | 41 |
| COVERS LOWER BED - REAR FOR H01, H11, K01, K02, U03 | 43 |
| COVERS FOR C02, U06 | 45 |
| TAPE GUIDE, HOLD DOWN DEVICE FOR E11, E61 | 47 |
| RIGHT HAND FABRIC TRIMMER ASSEMBLYFOR E11, E61 | 49 |
| PULLER LIFTER ASSEMBLYFOR E61, H11 | 51 |
| PULLER DRIVE ASSEMBLY FOR E61, H11 | 53 |
| LOWER ROLLER ASSEMBLY FOR E61,H11 | 55 |
| UPPER ROLLER ASSEMBLY FOR E61, H11 | 57 |
| LEFT HAND FABRIC TRIMMER ASSEMBLY FOR H21 | 59 |
| ACCESSORIES | 61 |
| NEEDLE DIPPER (EXTRA SEND CHARGE) | 63 |
| ACCESSORIES FOR C02 | 65 |
| C02 FOLDER(EXTRA SEND & CHARGE) | 67 |
| SEWING PARTS FOR C02 | 69 |
| SEWING PARTS FOR E11 | 71 |
| SEWING PARTS FOR E61 | 73 |
| SEWING PARTS FOR H01 | 75 |
| SEWING PARTS FOR H11/PL1, H11/PL1S | 77 |
| SEWING PARTS FOR H21 | 79 |
| SEWING PARTS FOR K01, K02 | 81 |
| SEWING PARTS FOR U03 | 83 |
| SEWING PARTS FOR U06 | 85 |
| NUMERICAL INDEX OF PARTS | 86 |
| NUMERICAL INDEX OF PARTS | 87 |
| NUMERICAL INDEX OF PARTS | 88 |
| NUMERICAL INDEX OF PARTS | 89 |
| NOTES | 90 |
| NOTES | 91 |



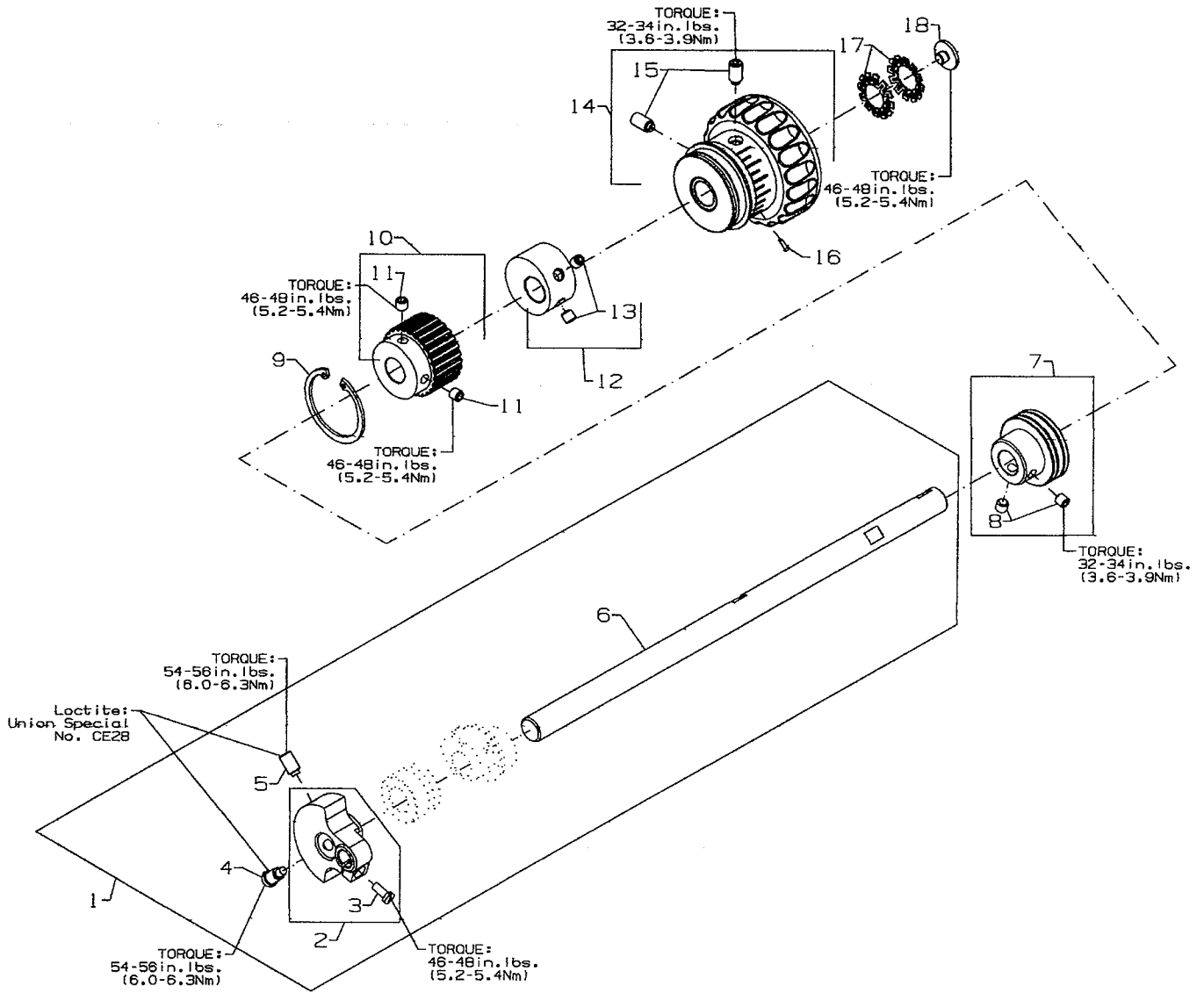
BUSHINGS

| Ref. No. | Part No. | Description | Amt. Req. |
|-------------|-------------|--|--------------|
| 1. | 50347E | Bushing, for spreader, rear | 1 |
| 2. | 50347F | Bushing, for spreader, front | 1 |
| 3. | 50354J | Bushing, for needle bar, upper | 1 |
| 4. | 50344BU | Bushing, for upper main shaft, front | 1 |
| 5. | 50332U | Pin | 1 |
| 6. | 50347L | Bushing, for spreader drive | 1 |
| 7. | 50354H | Bushing, for needle bar, lower | 1 |
| 8. | 50330CZ | Bushing, for presser bar | 1 |
| 9. | 99352 | Stop Screw | 2 |
| 10. | 999-212-035 | Stop | 1 |
| 11. | 22894BD | Screw, for cast-off plate stud | 1 |
| 12. | 96841 | Pin | 1 |
| 13. | 34390 | Bushing, for main shaft, left | 1 |
| 14. | 50393EZ | Oil Seal | 1 |
| 15. | 34336C | Bushing, for feed rocker, left | 1 |
| 16. | 34336D | Bushing, for feed lifter shaft, left | 1 |
| 17. | 34336B | Bushing, for feed rocker shaft, right | 1 |
| 18. | 34336E | Bushing, for feed lifter shaft, right | 1 |
| 19. | 22565C | Set Screw | 1 |
| 20. | 50344BP | Bushing, for main shaft, middle | 1 |
| 21. | 34394A | Oil Tube | 1 |
| 22. | 50393KW | Oil Tube | 1 |
| 23. | 22894AD | Screw | 1 |
| 24. | 999-211B | "O" Ring | 1 |
| 25. | 50344BL | Bushing, for cast-off plate bracket | 1 |
| 26. | PS0400142KH | Pin | 1 |
| 27. | 50381E | Bushing, for lifter lever, back | 1 |
| 28. | 50392AB | Bushing, for tension release | 1 |
| 29. | 22571F | Plug Screw | 2 |
| 30. | 34394B | Oil Tube | 1 |
| 31. | 50393GF | Oil Sight Gauge | 1 |
| 32. | 34342G | Bushing, for looper drive shaft, front | 1 |
| 33. | 50344BN | Differential Feed Adjusting Assembly | 1 |
| 34. | 50322AZ | Differential Feed Adjusting Shaft | 1 |
| 35. | RO037180100 | "O" Ring | 1 |
| 36. | 50344BK | Differential Adjusting Bushing | 1 |
| 37. | 34342F | Bushing, for looper drive shaft rear | 1 |
| 38. | 22829 | Screw | 1 |
| 39. | 50344AV | Bushing | 1 |
| 40. | SS8660612TP | Screw | 1 |
| 41. | 999-211 | "O" Ring | 1 |



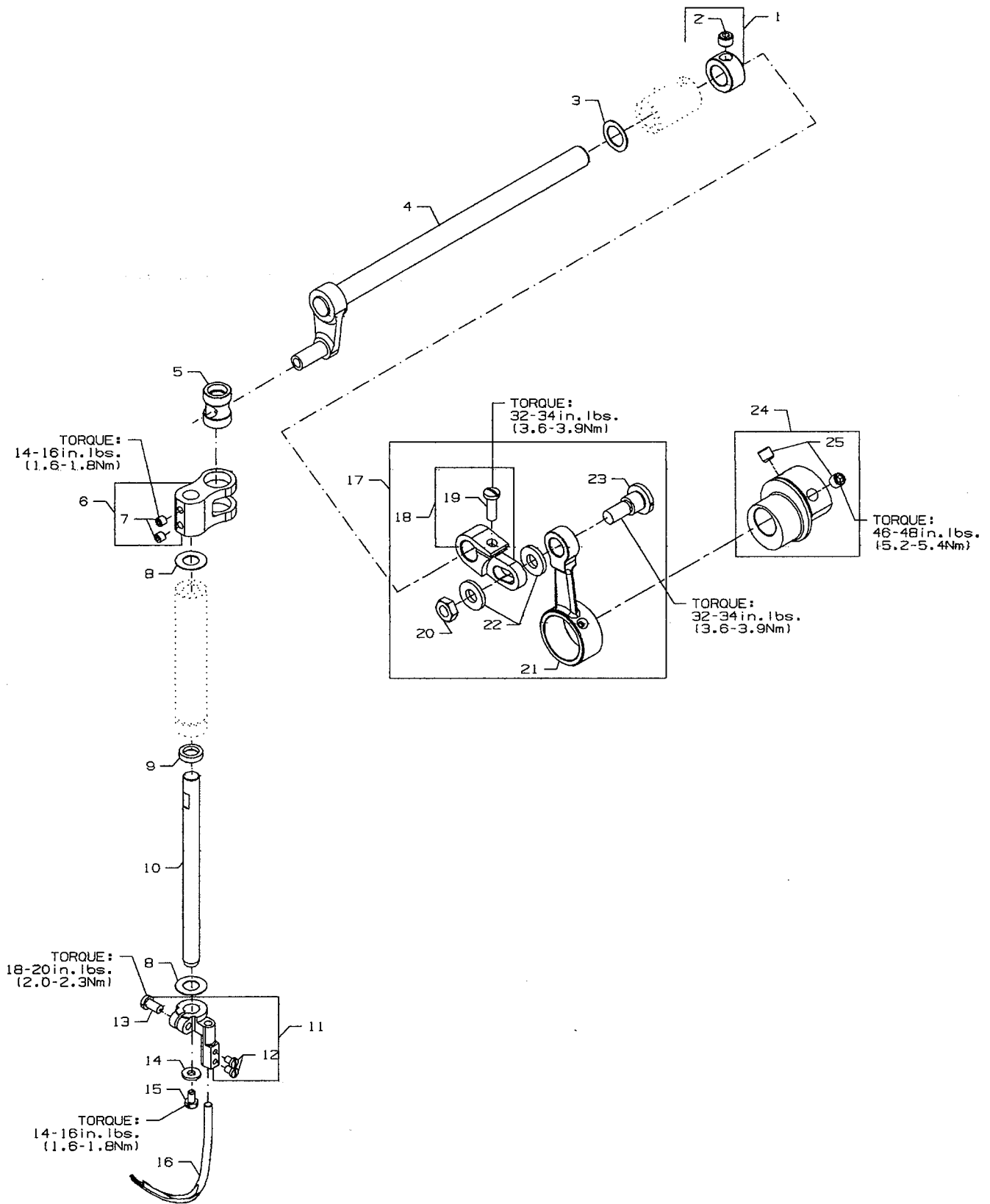
NEEDLE BAR

| Ref. No. | Part No. | Description | Amt. Req. |
|-------------|-------------|---|--------------|
| 1. | SS4080620TP | Screw | 1 |
| 2. | 50323P | Needle Bar Eyelet | 1 |
| 3. | 50317B | Needle Bar | 1 |
| 4. | 50345W | Connecting Rod Assembly | 1 |
| 5. | 50355AM | Needle Bar Clamp | 1 |
| 6. | SS7111120TP | Screw | 1 |
| 7. | 50352 | Pivot Pin | 1 |
| 8. | 661-259B | Needle Bearing Cage | 1 |
| 9. | 50355AN | Connecting Rod | 1 |
| 10. | 50351A | Washer | 1 |
| 11. | 50393JP | Eyelet Seal | 1 |
| 12. | 50358X | Needle Thread Eyelet | 1 |
| 13. | SS7080520SP | Screw | 1 |
| - | CE27 | Loctite Adhesive, (not shown), for screw | - |
| 14. | 50354F | Slide Block | 1 |
| - | CE63 | Three Bond Adhesive, (not shown), for slide block | - |
| 15. | SS8110422TP | Screw | 1 |
| 16. | 29476TC | Oil Tube Assembly | 1 |
| 17. | CQ25220000 | Wick | 1 |
| 18. | 50393JY | Oil Tube | 1 |
| 19. | 50393JZ | Oil Tube | 1 |
| 20. | 50393JW | Hose Clamp | 1 |
| 21. | SS6090440SP | Screw, for support bracket | 1 |
| 22. | SS6121010SP | Screw | 2 |
| 23. | 29476TH | Slide Block Guide Assembly | 1 |
| 24. | 50354G | Slide Block Guide | 1 |
| - | 50393HS | Sponge | 1 |
| 25. | CE59 | Loctite Adhesive, (not shown), for sponge | - |
| 26. | 50394AF | Slide Block Guide Cover | 1 |
| 27. | SS6090620SP | Screw | 1 |
| 28. | 666-329 | Felt | 1 |



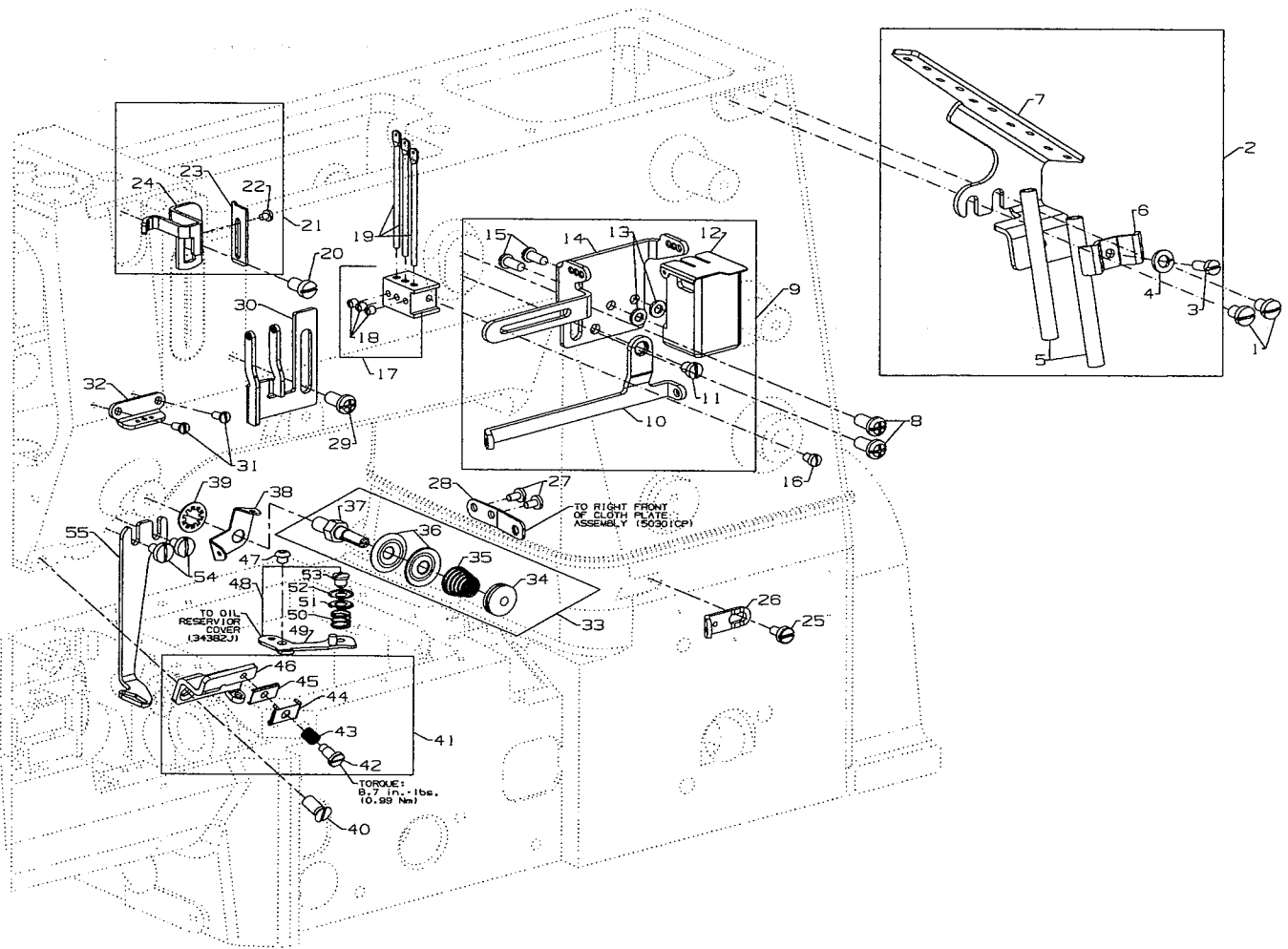
UPPER MAIN SHAFT

| Ref. No. | Part No. | Description | Amt. Req. |
|-------------|-------------|---------------------------------------|--------------|
| 1. | 50322BB | Upper Main Shaft Assembly | 1 |
| 2. | 50391 | Counter Weight | 1 |
| 3. | SS7111120TP | Screw, for counter weight | 1 |
| 4. | SS7681410TP | Screw, for counter weight | 1 |
| 5. | SS8681412TP | Screw, for counter weight | 1 |
| 6. | 50322AF | Upper Main Shaft | 1 |
| 7. | 50335BD | Bearing Adapter Assembly | 1 |
| 8. | SS8660612TP | Screw, for bearing adapter | 2 |
| 9. | 661-262 | Retaining Ring | 1 |
| 10. | 50342AY | Sprocket, for upper main shaft | 1 |
| 11. | SS8661012TP | Set Screw, for sprocket | 2 |
| 12. | 50391A | Counterweight | 1 |
| 13. | SS8660612TP | Screw | 2 |
| 14. | 50321M | Handwheel | 1 |
| 15. | SS8681412TP | Set Screw, for handwheel | 2 |
| 16. | 660-1043 | Tack Pin, for hand wheel | 1 |
| 17. | 661-261 | Load Ring, for lower main shaft | 2 |
| 18. | SS7660520SP | Screw, for handwheel preload | 1 |



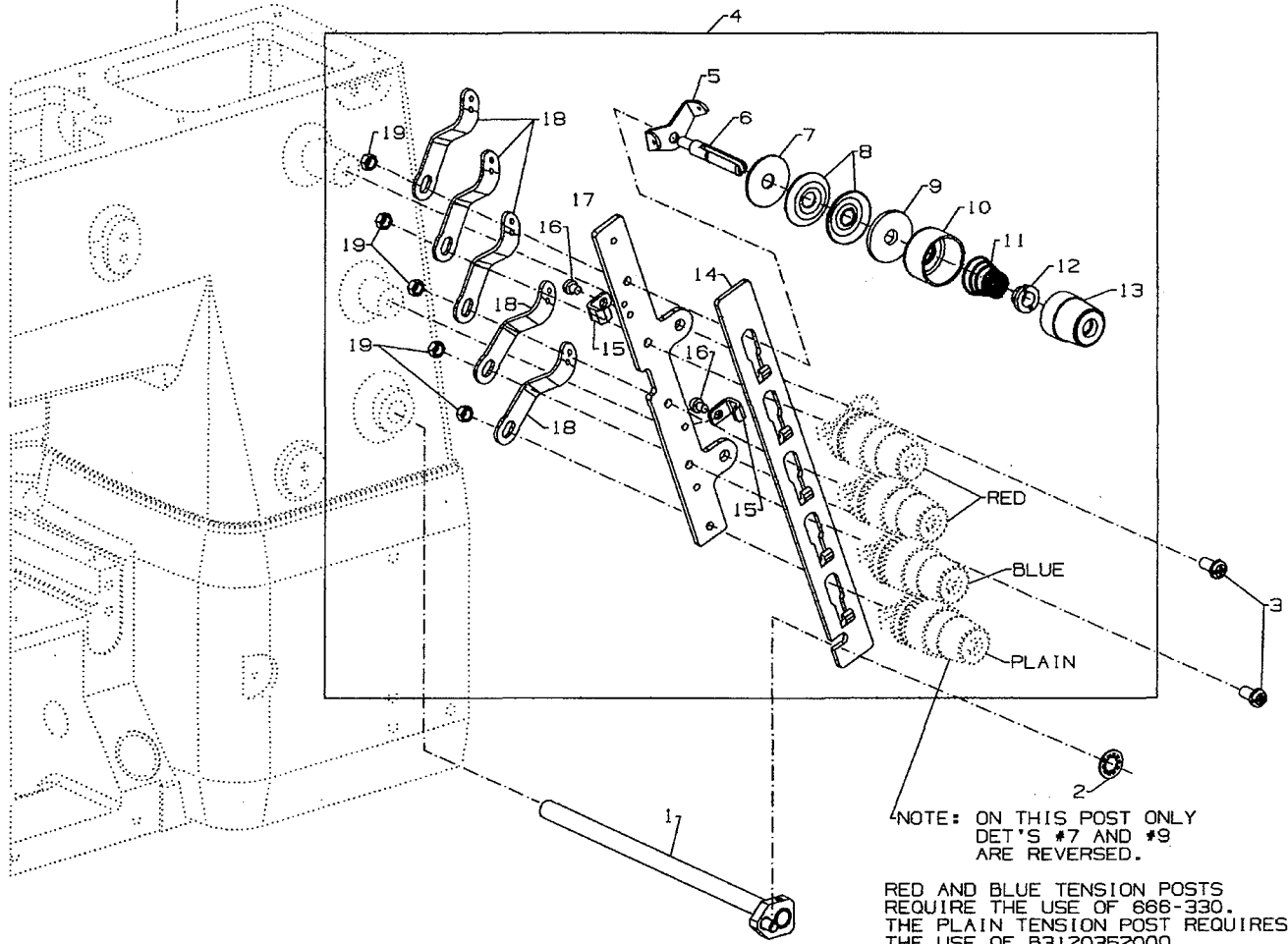
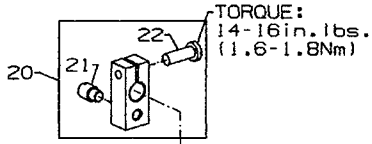
SPREADER

| Ref. No. | Part No. | Description | Amt. Req. |
|-------------|-------------|--|--------------|
| 1. | 50335AW | Collar, for spreader shaft | 1 |
| 2. | SS8660512TP | Set Screw | 1 |
| 3. | 96162B | Washer | 1 |
| 4. | 50360B | Crankshaft, for spreader assembly | 1 |
| 5. | 50347J | Pin, for spreader rocker | 1 |
| 6. | 50347C | Lever, for spreader holder shaft | 1 |
| 7. | SS8110422TP | Screw | 2 |
| 8. | 61351C | Washer | 2 |
| 9. | 660-739 | Oil Seal | 1 |
| 10. | 50347G | Shaft, for spreader, vertical | 1 |
| 11. | 50346A | Spreader Holder | 1 |
| 12. | SS7080510TP | Screw | 2 |
| 13. | SS7110910TP | Screw | 1 |
| 14. | 53678N | Washer | 1 |
| 15. | SS9090640SP | Hex Screw, for vertical shaft | 1 |
| 16. | 50360H | Spreader | 1 |
| 17. | 29126FW | Spreader Crank Rod Assembly | 1 |
| 18. | 50360G | Spreader Shaft Driving Arm | 1 |
| 19. | SS7121410TP | Screw | 1 |
| 20. | NS6680410SP | Hex Nut, for spreader drive | 1 |
| 21. | 50360F | Connecting Rod, for spreader drive | 1 |
| 22. | WP0742016SP | Collar, for spreader driving arm | 2 |
| 23. | SD1000801SH | Stud | 1 |
| 24. | 50360 | Eccentric, for spreader drive | 1 |
| 25. | SS8660612TP | Screw | 2 |



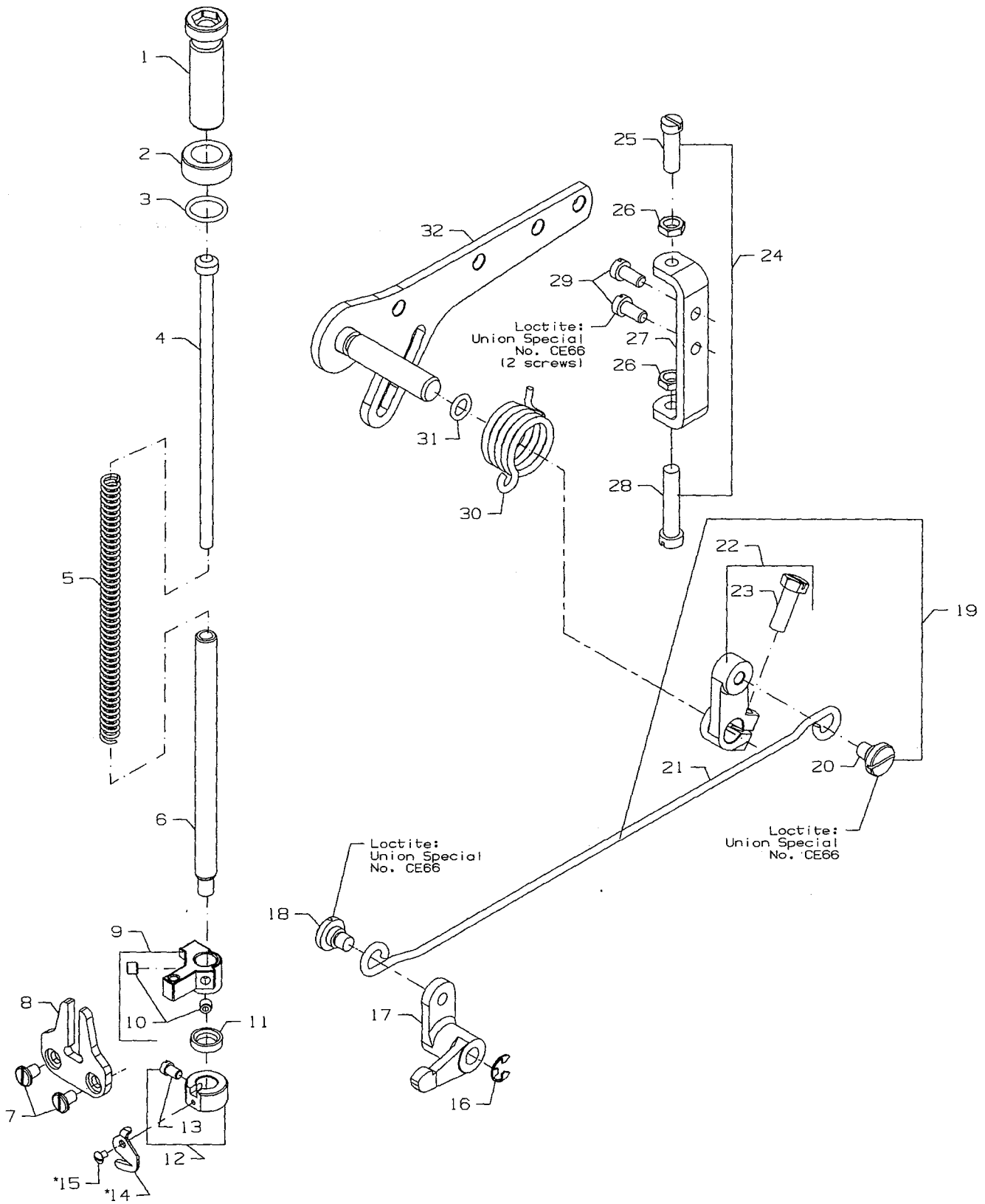
THREAD GUIDE

| Ref. No. | Part No. | Description | Amt. Req. |
|-------------|-------------|---|--------------|
| 1. | SS7120640SP | Screw, for lead-in eyelet | 2 |
| 2. | 50392AU | Thread Eyelet Assembly | 1 |
| 3. | SS7090910TP | Screw, for tube bracket | 1 |
| 4. | WS0510002KP | Washer | 1 |
| 5. | 50366 | Thread Eyelet Tube | 2 |
| 6. | 50366A | Thread Eyelet Tube Bracket | 1 |
| 7. | 50392S | Lead-in Tension Eyelet | 1 |
| 8. | SS4120615SP | Screw, for spreader thread guide | 2 |
| 9. | 50363CK | Needle Thread Guide & Lubricator Assembly | 1 |
| 10. | 50358U | Thread Guide, for spreader | 1 |
| 11. | SS7110410SP | Screw, for needle thread guide | 1 |
| 12. | 50393HH | Silicone Thread Lubricator | 1 |
| 13. | WS0371026SD | Washer | 2 |
| 14. | 50366J | Needle Thread Guide | 1 |
| 15. | SS4090815SP | Screw, for silicone tank | 2 |
| 16. | SS7080510TP | Screw, for holder eyelet | 1 |
| 17. | 50358W | Holder, for needle thread eyelet | 1 |
| 18. | SS8080410TP | Screw | 3 |
| 19. | 36271A | Adjusting Needle Thread Eyelet | 3 |
| 20. | SS7120710SP | Screw, for strike-off | 1 |
| 21. | 50366B | Needle Thread Strike-Off Assembly | 1 |
| 22. | SS7060310SP | Screw, for plate strike-off | 1 |
| 23. | 50370F | Thread Strike-Off Component | 1 |
| 24. | 50358V | Needle Thread Strike-Off | 1 |
| 25. | 98A | Screw | 1 |
| 26. | 12124202 | Looper Frame Eyelet | 1 |
| 27. | 87U | Screw | 1 |
| 28. | 34358F | Looper Thread Guide | 1 |
| 29. | SS4120915SP | Screw, for thread take-up cover | 1 |
| 30. | 50392T | Eyelet | 1 |
| 31. | 605A | Screw, for needle thread guide | 2 |
| 32. | C50044E | Needle Thread Guide | 1 |
| 33. | 29475CG | Spreader Thread Tension Assembly | 1 |
| 34. | 50392AZ | Tension Nut | 1 |
| 35. | 50392AY | Tension Spring | 1 |
| 36. | 50392AX | Tension Disc | 2 |
| 37. | 50392AW | Tension Post | 1 |
| 38. | 57844 | Eyelet | 1 |
| 39. | 652C16 | Star Washer | 1 |
| 40. | SS1121010SP | Screw, for thread guide | 1 |
| 41. | 50357AR | Nipper Plate Assembly | 1 |
| 42. | SD0380551SL | Shoulder Screw | 1 |
| 43. | 50357AS | Nipper Spring | 1 |
| 44. | 50357Y | Nipper Spring Plate | 1 |
| 45. | 50357V | Nipper Plate | 1 |
| 46. | 50366G | Thread Guide | 1 |
| 47. | 18C1471 | Screw | 2 |
| 48. | 29480AYJ | Looper Thread Nipper | 1 |
| 49. | 50366L | Eyelet | 1 |
| 50. | 50357AV | Spring, Nipper | 1 |
| 51. | 50357AT | Nipper Plate | 1 |
| 52. | 50357AX | Nipper Plate | 1 |
| 53. | 50357AW | Screw, Tension Post | 1 |
| 54. | SS7090610SP | Screw, for spreader thread guide | 2 |
| 55. | 50346 | Thread Guide Spreader | 1 |



TENSION RELEASE & THREAD TENSION

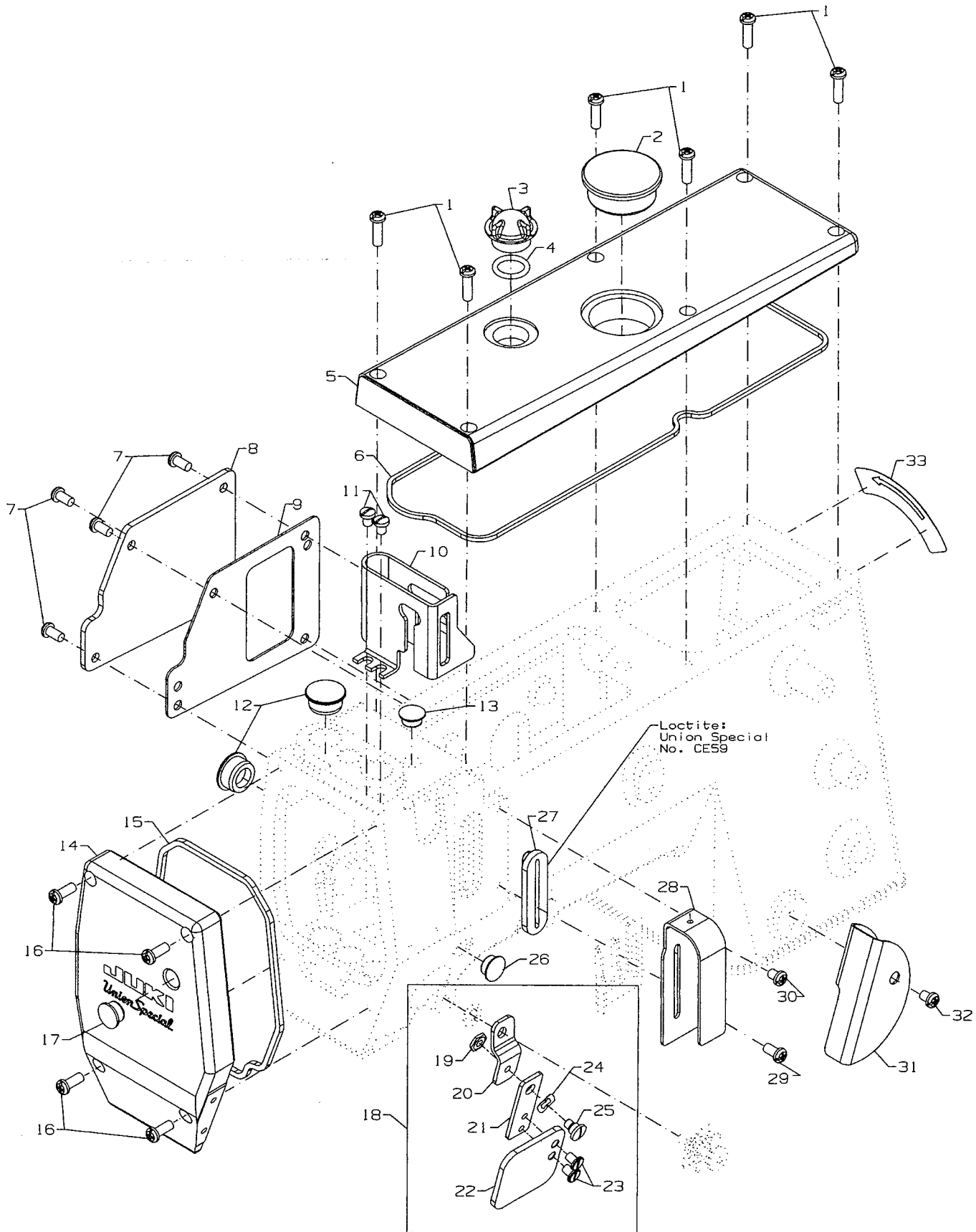
| Ref. No. | Part No. | Description | Amt. Req. |
|-------------|-------------|--|--------------|
| 1. | 50392Z | Tension Needle Lever Assembly | 1 |
| 2. | 660-283A | Retainer Washer | 1 |
| 3. | SS4120915SP | Screw, for tension assembly | 2 |
| 4. | 50392Y | 5 Thread Tension Assembly | 1 |
| 5. | 57892K | Thread Tension Eyelet | 5 |
| 6. | 56392G | Tension Post | 5 |
| 7. | B3120352000 | Tension Disc Felt | 1 |
| - | 666-330 | Disc Felt | 4 |
| 8. | B3126012000 | Tension Disc | 10 |
| 9. | B3120704000 | Tension Disc Felt | 5 |
| 10. | 56392H | Spring Shield | 5 |
| 11. | 11550209 | Spring, needle (green) | 3 |
| - | B3103804000 | Spring, spreader (blue) | 1 |
| - | B3121804000 | Spring, looper (plain) | 1 |
| 12. | B3112704000 | Ferrule, tension spring | 5 |
| 13. | 50692G | Knob, needle (green) | 3 |
| - | 56392M | Knob, spreader (blue) | 1 |
| - | 56392R | Knob, looper (plain) | 1 |
| 14. | 50392W | Tension Disc Separator | 1 |
| 15. | 50392AV | Guide, for tension disc separator | 2 |
| 16. | SS7090520SP | Screw, for guide | 2 |
| 17. | 50392X | Tension Bracket | 1 |
| 18. | 57865 | Lead-In Thread Guide | 5 |
| 19. | NS6110420SP | Nut | 5 |
| 20. | 50392BC | Tension Release Lever Shaft Connection | 1 |
| 21. | 22875N | Base Spring Screw | 1 |
| 22. | SS7121410TP | Binder Screw | 1 |



PRESSER FOOT LIFT

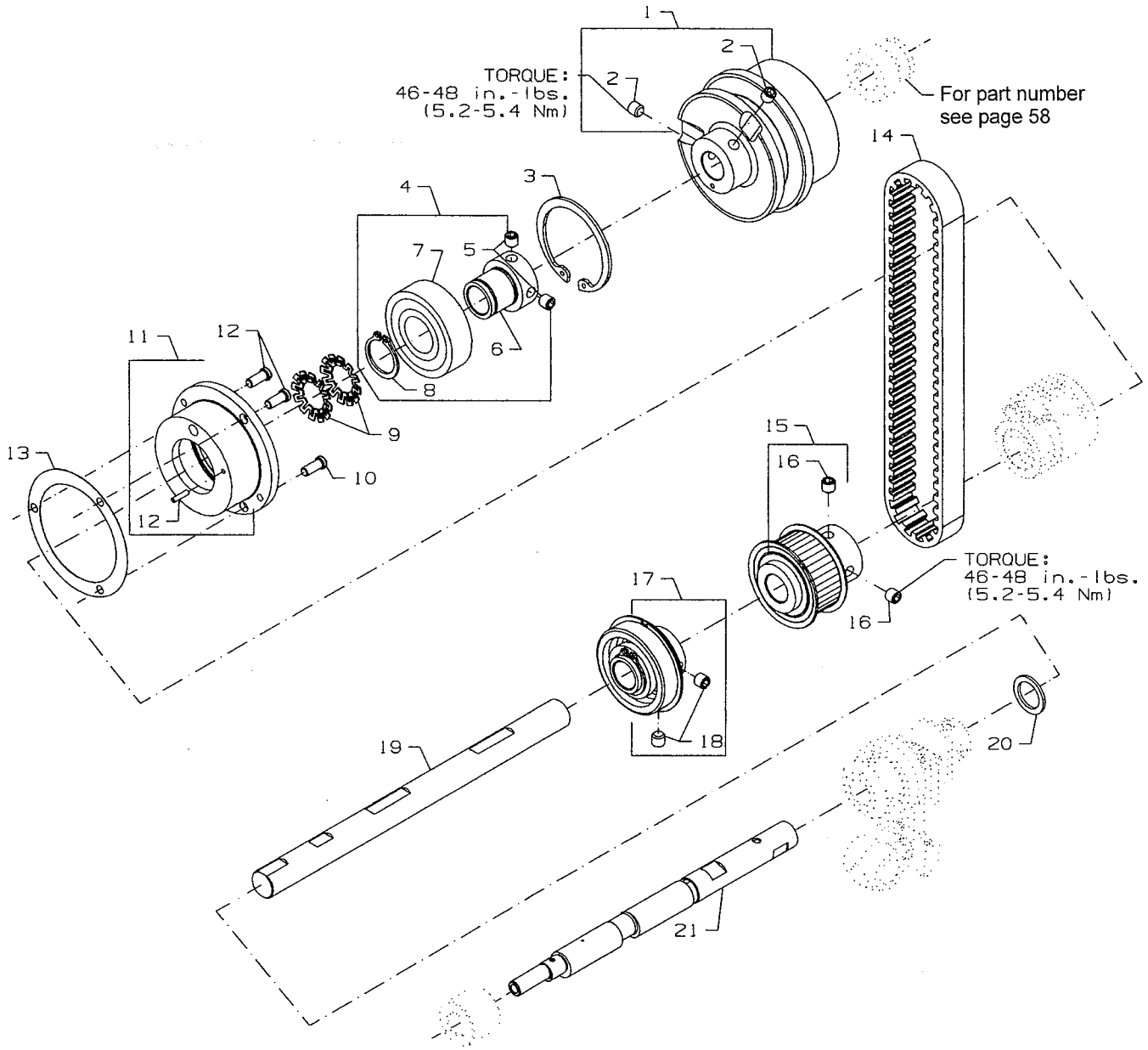
| Ref. No. | Part No. | Description | Amt. Req. |
|-------------|--------------|--|--------------|
| 1. | 11071602 | Adjusting Screw, for spring | 1 |
| 2. | 11071701 | Locking Nut | 1 |
| 3. | 660-1014 | "O" Ring | 1 |
| 4. | C50056B | Spring Rod | 1 |
| 5. | 50357AP | Spring, for presser bar | 1 |
| 6. | 50335AF | Presser Bar | 1 |
| 7. | SS6110610TP | Screw, for guide plate | 2 |
| 8. | 50335AG | Guide Plate, for presser bar | 1 |
| 9. | 50335AH | Presser Bar Guide | 1 |
| 10. | SS8110422TP | Set Screw | 2 |
| 11. | 660-739 | Oil Seal | 1 |
| 12. | 50333P | Collar | 1 |
| 13. | 22562 | Screw | 2 |
| *14. | B1528804000A | Chain Knife | 1 |
| *15. | SS5060410SP | Screw, for chain knife | 1 |
| 16. | RE0500000K0 | E Ring, for pin | 1 |
| 17. | 50381F | Lever, for lifter, front | 1 |
| 18. | SD0790303SP | Screw, for wire connector | 1 |
| - | CE66 | Loctite Adhesive, (not shown), for screw | - |
| 19. | 29476TK | Rear Lifter Lever Assembly | 1 |
| 20. | SD0790303SP | Screw | 1 |
| 21. | 50355AR | Wire Connector | 1 |
| 22. | 50381G | Lifter Lever, rear | 1 |
| 23. | SS9151740CP | Hex Screw | 1 |
| 24. | 29476TT | Stop Assembly | 1 |
| 25. | SS6151920SP | Screw, for stopper | 1 |
| 26. | NS6150310SP | Hex Nut | 2 |
| 27. | 50332V | Stopper, for lifter lever | 1 |
| 28. | SS6153040SP | Screw, for adjusting stopper | 1 |
| 29. | SS6121010SP | Screw, for adjusting stopper | 2 |
| - | CE66 | Loctite Adhesive, (not shown), for screw | - |
| 30. | 50381 | Spring, for lifter lever | 1 |
| 31. | RO068190100 | "O" Ring | 1 |
| 32. | 50381B | Lifter Lever Assembly | 1 |

*Basic Style Machine H01, H21, K01, K02, U03, and U06 only



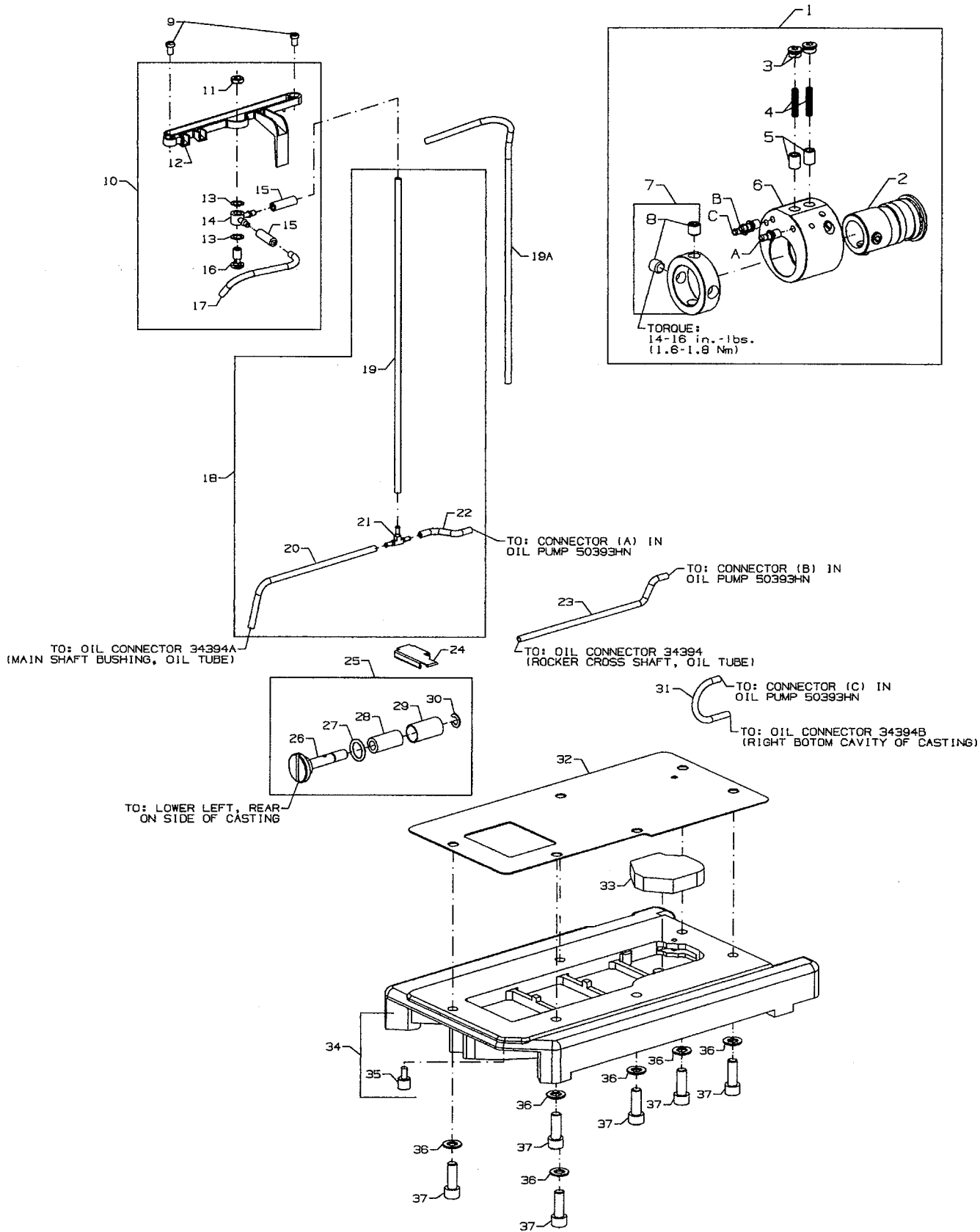
COVERS, UPPER ARM

| Ref. No. | Part No. | Description | Amt. Req. |
|----------|-------------|---------------------------------------|-----------|
| 1. | SS4121615SP | Screw, for top cover | 6 |
| 2. | 50393EU | Plug, for top cover | 1 |
| 3. | B3530555000 | Oil Sight Gauge, top | 1 |
| 4. | 660-212 | "O" Ring, for oil sight gauge | 1 |
| 5. | 50382FW | Top Cover | 1 |
| 6. | 50382FZ | Quad Ring, for top cover | 1 |
| 7. | SS4120915SP | Screw, for puller drive cover | 4 |
| 8. | 50382GB | Puller Drive Cover | 1 |
| 9. | 50384L | Gasket, for puller drive cover | 1 |
| 10. | 50317C | Needle Bar Guard | 1 |
| 11. | SS7120640SP | Screw, for needle bar guard | 2 |
| 12. | 50393HB | Plug | 2 |
| 13. | TA1050504R0 | Plug, for arm | 1 |
| 14. | 50382FX | Head Cover | 1 |
| 15. | 50382FY | Quad Ring, for head cover | 1 |
| 16. | SS4121215SP | Screw, for head cover | 4 |
| 17. | TA1100604R0 | Plug | 1 |
| 18. | 99682XCB | Sewing Guard Assembly | 1 |
| 19. | NS6620320SP | Nut | 1 |
| 20. | 50383AE | Bracket Holder | 1 |
| 21. | 50383AD | Bracket | 1 |
| 22. | 99682XC | Protection Shield | 1 |
| 23. | SS1110640SL | Counter Sunk Head Screw | 2 |
| 24. | WZ0641510KP | Spring Washer | 1 |
| 25. | SD0640323TP | Shoulder Screw | 1 |
| 26. | TA1050504R0 | Plug | 1 |
| 27. | 50393EW | Rubber Gasket, for needle lever | 1 |
| 28. | 50382GA | Thread Take-Up Bracket | 1 |
| 29. | SS4120915SP | Screw, for thread take-up cover | 1 |
| 30. | SS4120615SP | Screw, for thread cover | 1 |
| 31. | 50382GM | Thread Cover | 1 |
| 32. | SS4120615SP | Screw, for thread cover | 1 |
| 33. | LA451 | Label, in direction of rotation | 1 |



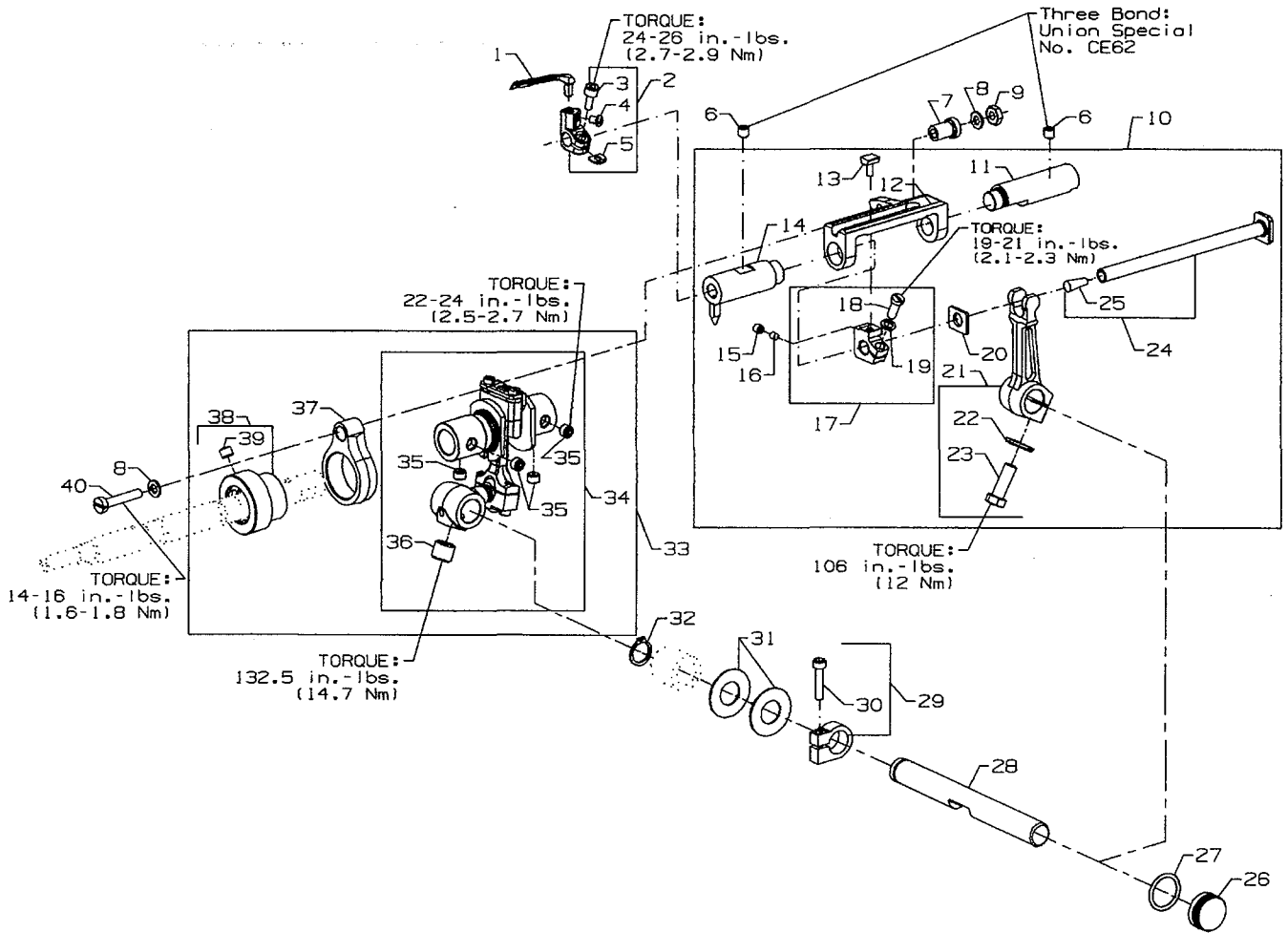
LOWER MAIN SHAFT

| Ref. No. | Part No. | Description | Amt. Req. |
|-------------|-------------|---|--------------|
| 1. | 50321J | Pulley | 1 |
| 2. | SS8660612TP | Set Screw | 2 |
| 3. | 661-348 | Retainer Ring | 1 |
| 4. | 50344AR | Bearing Adaptor Assembly | 1 |
| 5. | SS8660612TP | Screw | 2 |
| 6. | 50335AP | Adaptor | 1 |
| 7. | 50311C | Ball Bearing, for lower main shaft, right | 1 |
| 8. | 50322AN | Retainer, for sprocket | 1 |
| 9. | 661-261 | Load Ring | 2 |
| 10. | 22569B | Screw, for housing | 3 |
| 11. | 50390L | Rear Bearing Housing | 1 |
| 12. | 99658 | Housing Pin | 1 |
| 13. | 56390E | Housing Gasket | 1 |
| 14. | 50342BD | Timing Belt | 1 |
| 15. | 50342BH | Sprocket, for lower main shaft | 1 |
| 16. | SS8660612TP | Set Screw | 2 |
| 17. | 50335BC | Bearing Adapter Assembly | 1 |
| 18. | SS8660612TP | Screw | 2 |
| 19. | 50322AH | Lower Main Shaft, right | 1 |
| 20. | 96162A | Washer | 1 |
| 21. | 50322BG | Mainshaft, left | 1 |



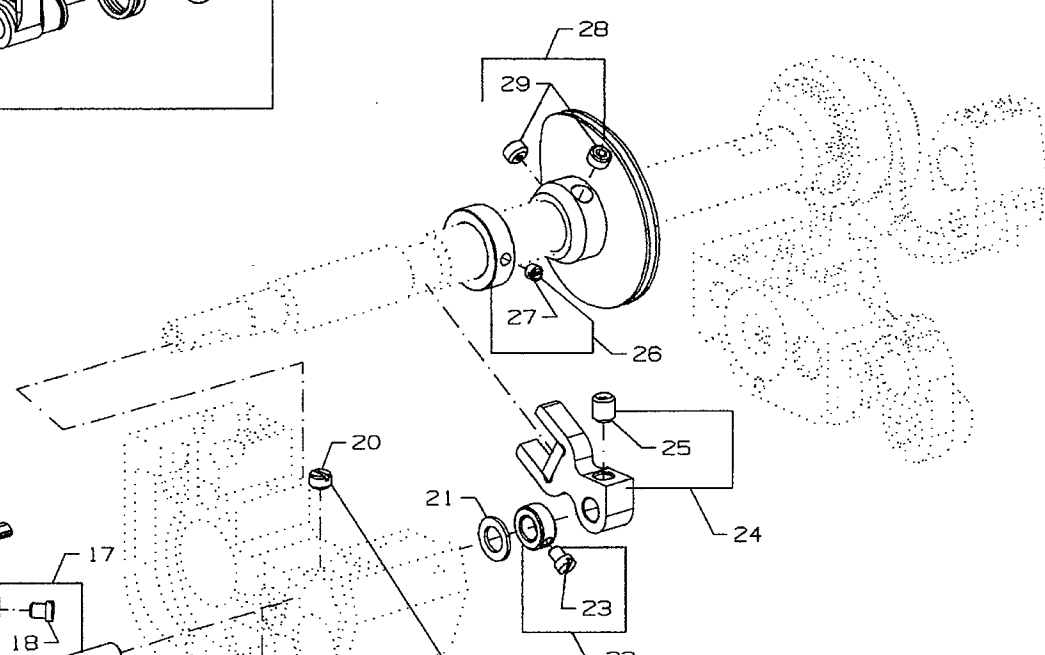
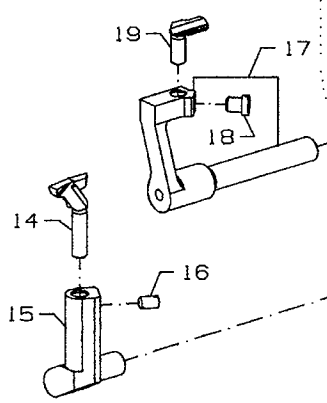
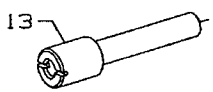
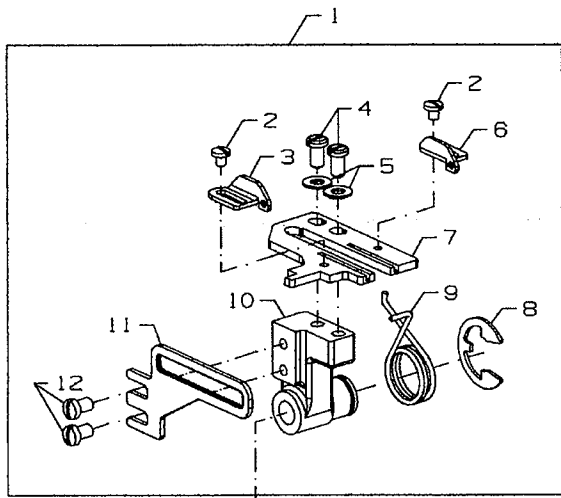
LUBRICATION, OIL TUBING & OIL PUMP

| Ref. No. | Part No. | Description | Amt. Req. |
|-------------|-------------|--|--------------|
| 1. | 50393HN | Oil Pump Assembly, 2 stage | 1 |
| 2. | 50393GD | Oil Pump Housing, 2 Stage | 1 |
| 3. | 18-1470 | Screw | 2 |
| 4. | 50332S | Spring, for plunger | 2 |
| 5. | 34393D | Plunger | 2 |
| 6. | 50393GB | Oil Pump Housing, 2 Stage | 1 |
| 7. | 50393EX | Collar | 1 |
| 8. | SS8660612TP | Screw | 2 |
| 9. | SS7120710SP | Screw | 2 |
| 10. | 29476TR | Oil Supply Trough Assembly | 1 |
| 11. | 258A | Nut | 1 |
| 12. | 50393FH | Oil Supply Trough | 1 |
| 13. | 41350X | Washer | 2 |
| 14. | C50094B | Connector Dual Feed | 1 |
| 15. | 50393GT | Oil Tube Cover | 2 |
| 16. | 50393HE | Plug Screw | 1 |
| 17. | 50393FK | Tube | 1 |
| 18. | 29476TS | Oil Supply Trough Assembly | 1 |
| - | 29476VL | Oil Supply Trough Assembly for Puller Machine Styles | 1 |
| 19. | 50393FF | Oil Tube | 1 |
| 19A. | 50393KV | Oil Tube | 1 |
| 20. | 50393FG | Oil Tube | 1 |
| 21. | 50393GU | "T" Connector | 1 |
| 22. | 50393FD | Oil Tube | 1 |
| 23. | 50393FE | Oil Tube | 1 |
| 24. | 50393LA | Oil Screen | 1 |
| 25. | 29476TJ | Oil Filter Assembly | 1 |
| 26. | 99349 | Stud | 1 |
| 27. | 660-212 | "O" Ring | 1 |
| 28. | 34393M | Oil Screen Felt | 1 |
| 29. | 34393L | Oil Screen | 1 |
| 30. | 96276 | Retaining Ring | 1 |
| 31. | 50393HV | Oil Tube | 1 |
| 32. | 34682C | Gasket | 1 |
| 33. | 999-254J | Oil Filter | 1 |
| 34. | 50382GS | Base Plate | 1 |
| 35. | 22571E | Magnet Plug | 6 |
| 36. | 95953 | Washer | 6 |
| 37. | 95406 | Screw | 1 |



LOOPER DRIVE

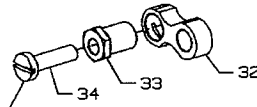
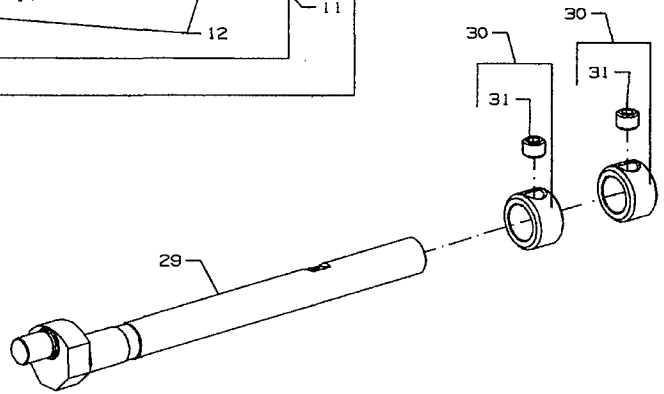
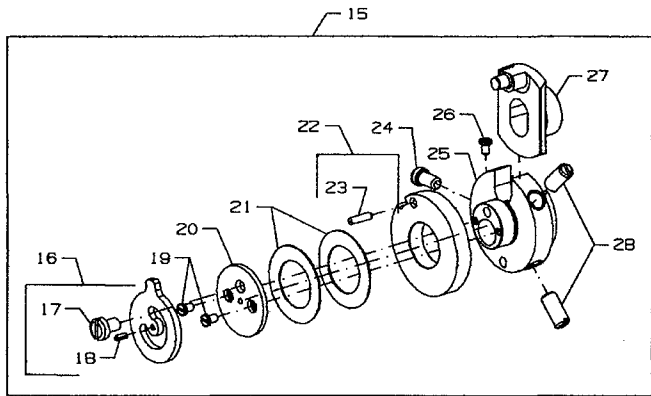
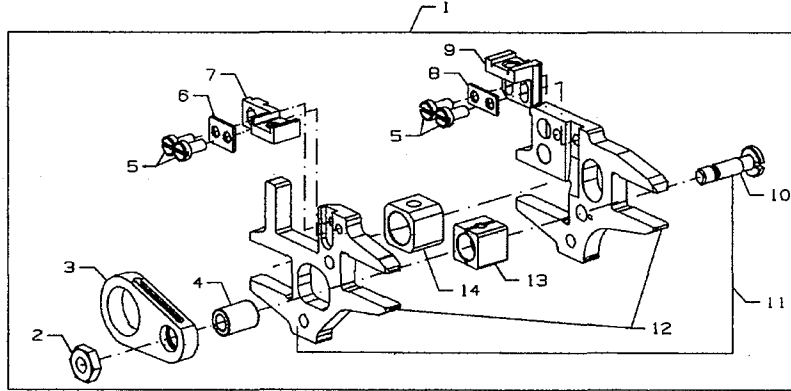
| Ref. No. | Part No. | Description | Amt. Req. |
|-------------|-------------|--------------------------------------|--------------|
| 1. | 34709D | Looper | 1 |
| 2. | 50348 | Holder, for looper | 1 |
| 3. | SS6091022TP | Screw | 1 |
| 4. | SS6090560TP | Screw | 1 |
| 5. | 50313T | Washer | 1 |
| 6. | 22894C | Screw | 2 |
| 7. | 50344AG | Bushing | 1 |
| 8. | 99652A | Washer | 2 |
| 9. | 9937 | Nut | 1 |
| 10. | 29476VK | Looper Drive Assembly | 1 |
| 11. | 50343RC | Bushing, for looper bar, right | 1 |
| 12. | 34344A | Cam Guide | 1 |
| 13. | 34344E | Cam Follower | 1 |
| 14. | 50344BM | Bushing, for looper shaft | 1 |
| 15. | 22894W | Screw | 1 |
| 16. | 39543E | Locking Clamp | 1 |
| 17. | 34344D | Cam Guide Holder | 1 |
| 18. | 22541B | Screw | 1 |
| 19. | 51235G | Washer | 1 |
| 20. | 34343C | Washer | 1 |
| 21. | 34642A | Looper Rocker Lever | 1 |
| 22. | HA20B | Washer | 1 |
| 23. | 22811B | Screw | 1 |
| 24. | 50343B | Shaft, for looper | 1 |
| 25. | CO67D | Cork | 1 |
| 26. | 34893 | Oil Seal Plug, front | 1 |
| 27. | 661-253 | "O" Ring | 1 |
| 28. | 50343C | Looper Rocker Shaft | 1 |
| 29. | 34342J | Binder Collar | 1 |
| 30. | 22652A12 | Screw | 1 |
| 31. | 56390H | Thrust Washer | 2 |
| 32. | 661-252 | Snap Ring | 1 |
| 33. | 29105BK | Looper Eccentric Assembly | 1 |
| 34. | G29105F | Drive Lever Crank | 1 |
| 35. | 22894X | Screw | 4 |
| 36. | 99346 | Set Screw | 1 |
| 37. | 50335BE | Looper Avoid Link | 1 |
| 38. | 50314G | Looper Avoid Eccentric | 1 |
| 39. | SS8660512TP | Screw | 1 |
| 40. | 99343 | Screw | 1 |



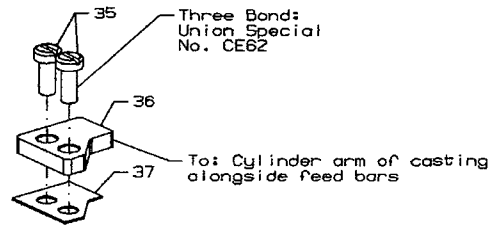
Three Bond:
Union Special
No. CE62

LOOPER THREAD TAKE -UP & NEEDLE GUARD

| Ref. No. | Part No. | Description | Amt. Req. |
|-------------|-------------|---------------------------------------|--------------|
| 1. | 29476UA | Cast-Off Plate Assembly | 1 |
| 2. | SS7060310SP | Screw | 2 |
| 3. | 34358BA | Thread Guide, left | 1 |
| 4. | SS4080620TP | Screw | 2 |
| 5. | WP0320501SC | Washer | 2 |
| 6. | 34358CA | Thread Guide, right | 1 |
| 7. | 50357AK | Cast-Off Plate | 1 |
| 8. | RE0900000KO | Retaining Ring | 1 |
| 9. | 50357AH | Spring | 1 |
| 10. | 50357AG | Holder | 1 |
| 11. | 50304M | Finger | 1 |
| 12. | SS7080520SP | Screw | 2 |
| 13. | 50357AJ | Shaft, for cast-off | 1 |
| 14. | 50325AL | Needle Guard, front | 1 |
| 15. | 50325AB | Holder, for needle guard, front | 1 |
| 16. | SS8090540SP | Screw | 1 |
| 17. | 50325AM | Holder, for needle guard, rear | 1 |
| 18. | SS6090440SP | Screw | 1 |
| 19. | 50325AN | Needle Guard, rear | 1 |
| 20. | 22580 | Screw | 1 |
| 21. | 6042A | Washer | 1 |
| 22. | 50333H | Spacer | 1 |
| 23. | 77A | Screw | 1 |
| 24. | 34368 | Fork | 1 |
| 25. | 22894AD | Screw | 1 |
| 26. | 34366 | Collar | 1 |
| 27. | 22743 | Screw | 1 |
| 28. | 50323S | Take Up | 1 |
| 29. | 22894T | Screw | 2 |

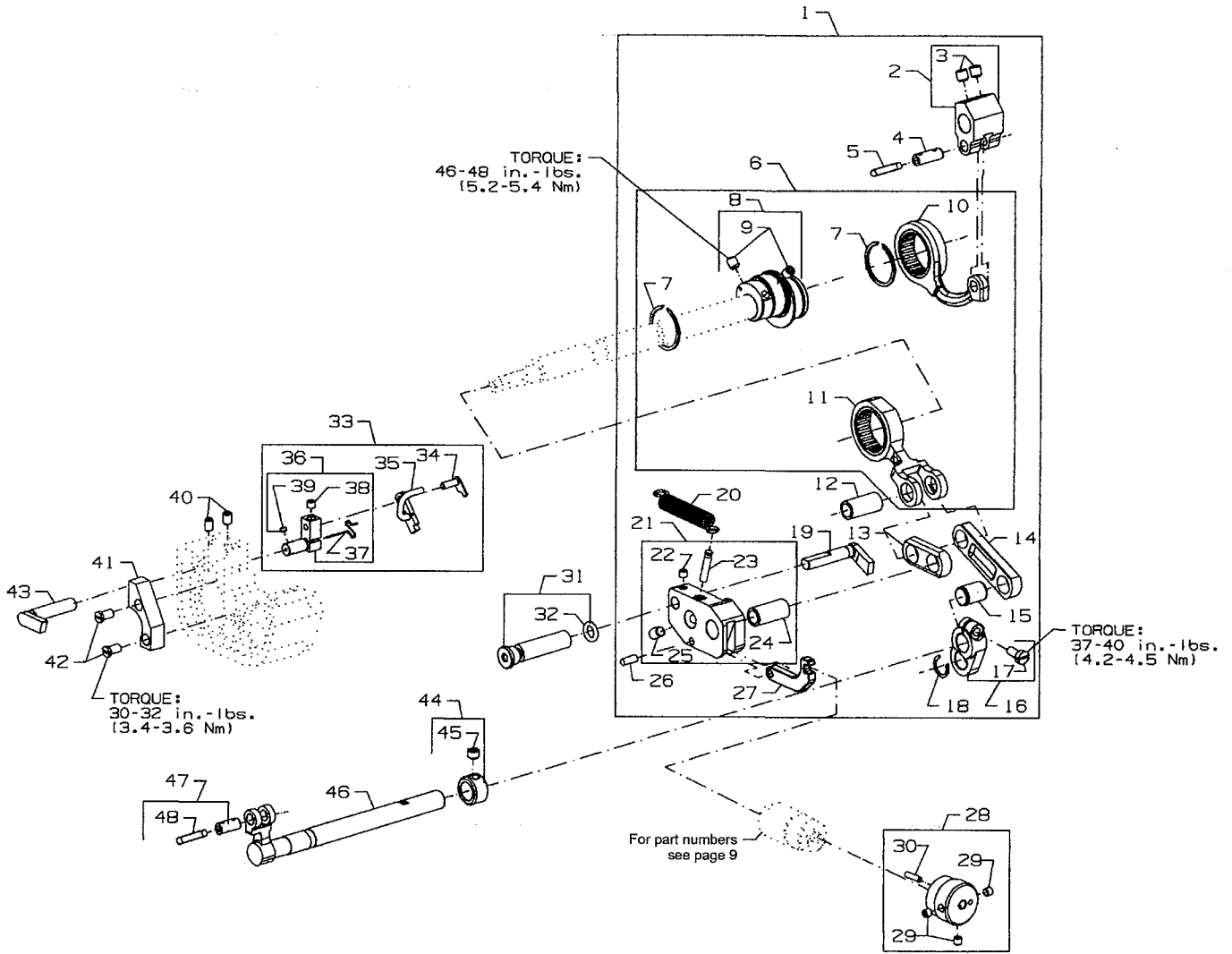


Torque:
20-22 in.-lbs
(2.3-2.5 Nm)



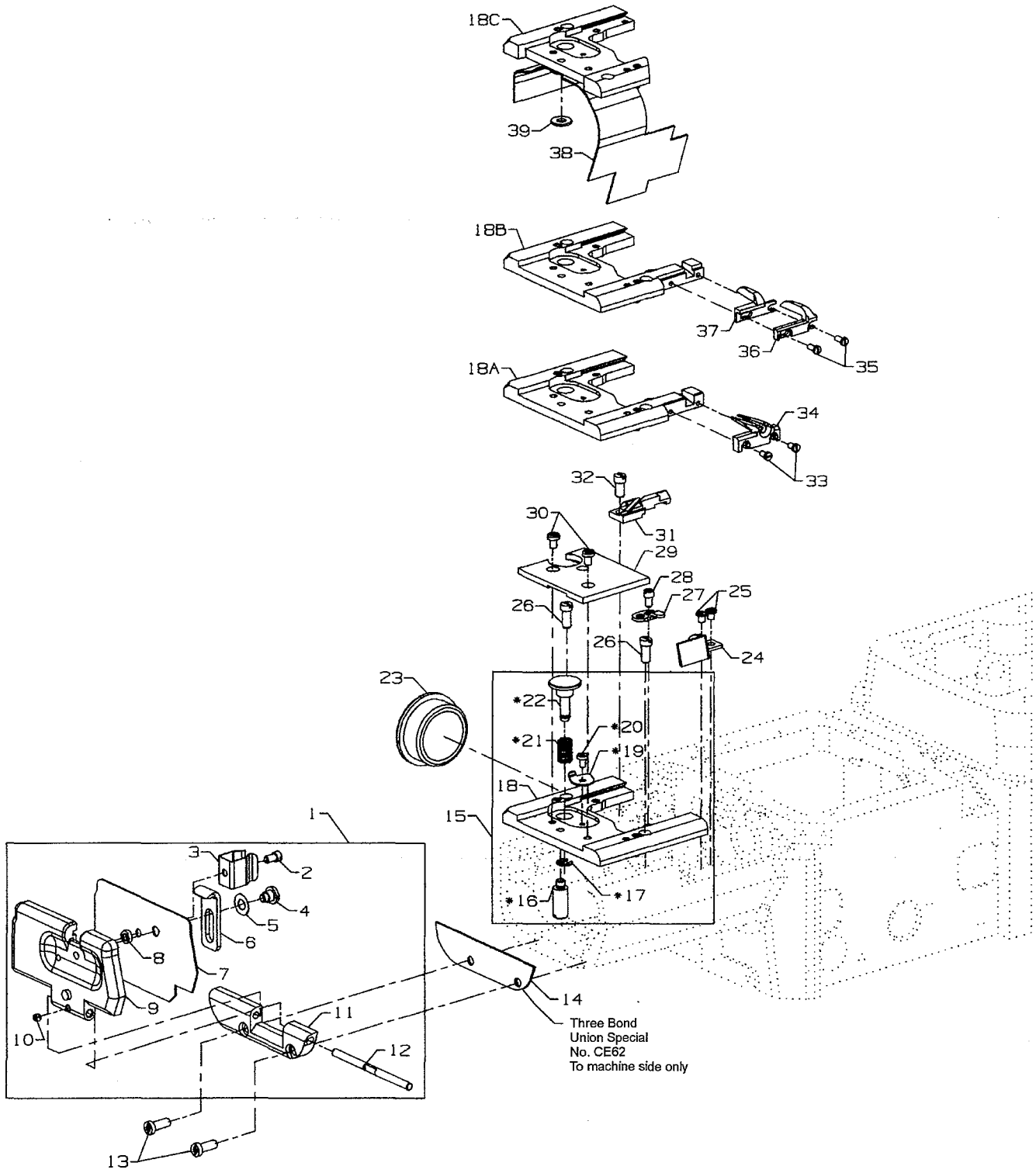
FEED DRIVE MECHANISM

| Ref. No. | Part No. | Description | Amt. Req. |
|-------------|-----------|--------------------------------------|--------------|
| 1. | G29476BV | Feed Bar Assembly | 1 |
| 2. | 9937 | Nut | 1 |
| 3. | 34336N | Drive Connection | 1 |
| 4. | 39536C | Bushing | 1 |
| 5. | 77B | Screw | 4 |
| 6. | 50386L | Thrust Plate, differential | 1 |
| 7. | 34353A | Differential Feed Dog Holder | 1 |
| 8. | 50386M | Thrust Plate, main | 1 |
| 9. | 34353 | Main Feed Dog Holder | 1 |
| 10. | 34336U | Stud | 1 |
| 11. | 29476SH | Feed Bar Assembly | 1 |
| 12. | 34334S | Main and Differential Feed Bar | 1 |
| 13. | 34338 | Feed Lift Slide Block | 1 |
| 14. | 34338B | Sliding Block | 1 |
| 15. | GA29477AP | Eccentric Assembly | 1 |
| 16. | 34336S | Spacing Stop | 1 |
| 17. | 90 | Screw | 1 |
| 18. | 96663 | Roll Pin | 1 |
| 19. | 22738B | Screw | 2 |
| 20. | 34336RA | Washer | 1 |
| 21. | 97137 | Disc Spring | 2 |
| 22. | 34336V | Cam Disc | 1 |
| 23. | 96667 | Roll Pin | 1 |
| 24. | 22562A | Screw | 1 |
| 25. | 34336Q | Guide, for eccentric | 1 |
| 26. | 22738B | Screw | 1 |
| 27. | 34340A | Eccentric | 1 |
| 28. | 22503F | Screw | 2 |
| 29. | 50322BF | Feed Lift Shaft | 1 |
| 30. | 34335J | Collar | 2 |
| 31. | 22894X | Set Screw | 2 |
| 32. | 34336A | Differential Feed Drive Link | 1 |
| 33. | 34337F | Eccentric Bushing | 1 |
| 34. | 22874C | Screw | 1 |
| 35. | 93 | Screw | 2 |
| 36. | 34335G | Feed Bar Guide | 1 |
| 37. | 34382H | Gasket | 1 |



FEED DRIVE MECHANISM

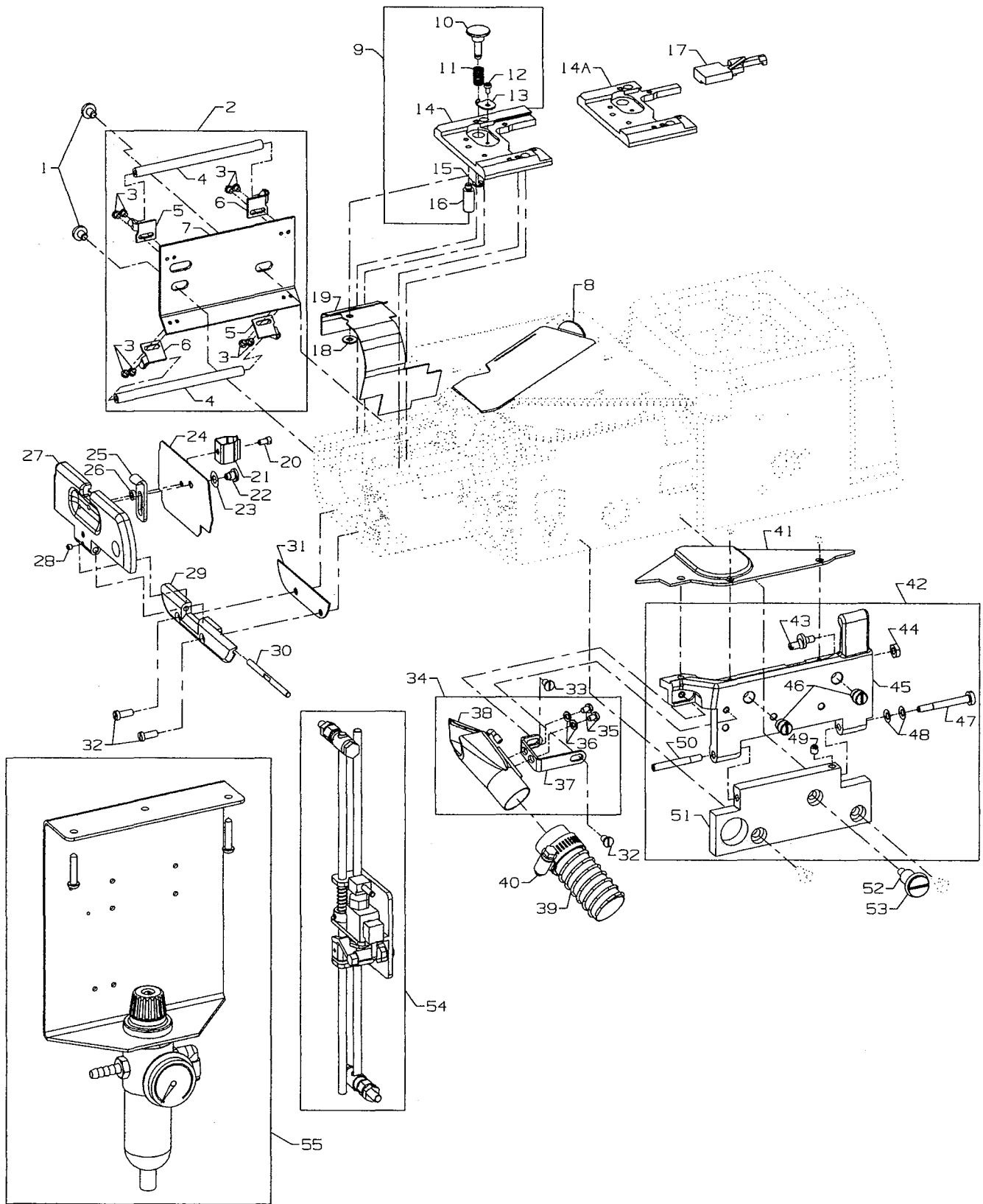
| Ref. No. | Part No. | Description | Amt. Req. |
|-------------|-------------|---|--------------|
| 1. | 29476XT | Feed Drive Assembly | 1 |
| 2. | 50367S | Feed Lifter Lever | 1 |
| 3. | SS8660612TP | Set Screw | 2 |
| 4. | G51054 | Link Pin | 1 |
| 5. | 666-149 | Felt Wick | 1 |
| 6. | 29476SJ | Feed Bar Subassembly | 1 |
| 7. | 999-215 | Snap Ring | 2 |
| 8. | 34306D | Double Eccentric | 1 |
| 9. | 22894AD | Screw | 2 |
| 10. | 34335 | Connecting Rod Link, for feed link | 1 |
| 11. | 34335A | Connecting Rod, for differential feed | 1 |
| 12. | 34337 | Link Pin | 1 |
| 13. | 34337A | Pitman Rod | 1 |
| 14. | 34337B | Connecting Rod | 1 |
| 15. | 50347T | Link Pin | 1 |
| 16. | 34337CA | Differential Feed Drive Lever | 1 |
| 17. | SS6121010SP | Screw | 1 |
| 18. | RC0980615K0 | Shim Ring | 1 |
| 19. | 34335D | Guide Stud | 1 |
| 20. | 96719 | Spring | 1 |
| 21. | 50383Y | Bracket | 1 |
| 22. | SS8110422TP | Set Screw | 1 |
| 23. | 96865 | Dowel Pin, Grooved | 1 |
| 24. | 34337 | Link Pin | 1 |
| 25. | SS8150822TP | Set Screw | 1 |
| 26. | PH0400104U0 | Hinge Pin | 1 |
| 27. | 50367T | Lever | 1 |
| 28. | 50337AP | Knob | 1 |
| 29. | SS8110422TP | Set Screw | 3 |
| 30. | B3215470000 | Pin | 1 |
| 31. | 50395T | Stud | 1 |
| 32. | 999-211E | "O" Ring | 1 |
| 33. | 29476TP | Cast-off Plate Release Assembly | 1 |
| 34. | 34363C | Stop | 1 |
| 35. | 34363B | Pawl | 1 |
| 36. | 34363 | Pawl Support | 1 |
| 37. | 34363A | Spring | 1 |
| 38. | 22894W | Screw | 1 |
| 39. | 28B | Screw | 1 |
| 40. | 22894BD | Set Screw | 2 |
| 41. | 34335H | Feed Bar Guide | 1 |
| 42. | 22569G | Screw | 2 |
| 43. | 34335D | Guide Stud | 1 |
| 44. | 34335J | Collar | 1 |
| 45. | 22894X | Screw | 1 |
| 46. | 34334A | Feed Drive Shaft | 1 |
| 47. | 34336P | Link Pin | 1 |
| 48. | 666-149 | Felt Wick | 1 |



COVERS LOWER BED- FRONT
FOR H01, H11, K01, K02, U03

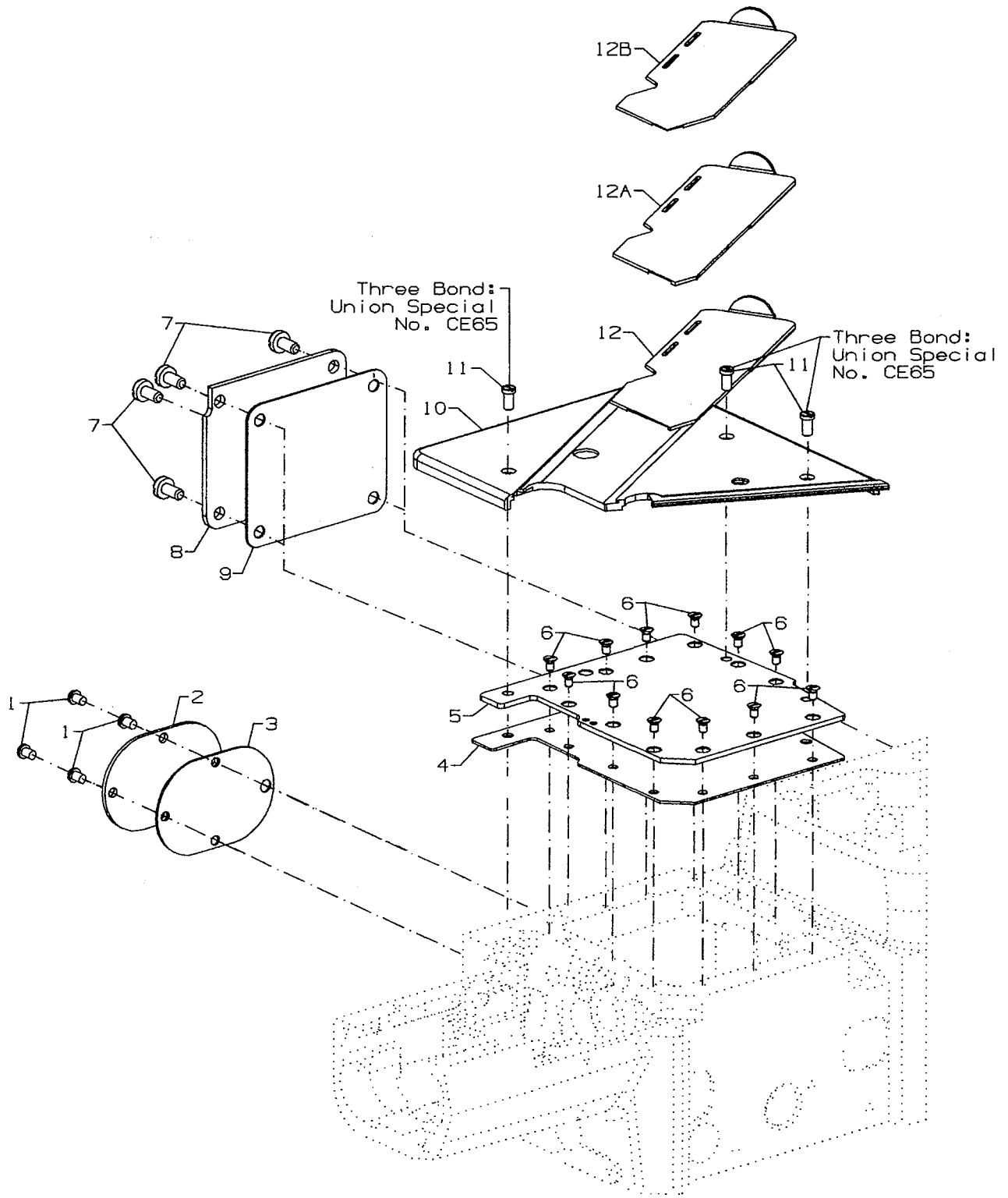
| Ref. No. | Part No. | Description | Amt. Req. |
|-------------|-------------|---|--------------|
| 1. | 29476TU | Cylinder Cover Assembly | 1 |
| 2. | 22562B | Screw | 1 |
| 3. | 99697J | Latch Spring | 1 |
| 4. | 22746 | Screw, for handle | 1 |
| 5. | 2165D-0.2 | Spring Washer, for handle | 1 |
| 6. | 34382W | Handle | 1 |
| 7. | 50384F | Gasket | 1 |
| 8. | C50063N | Washer | 1 |
| 9. | 50382FV | Cylinder Cover | 1 |
| 10. | 22894AY | Screw | 1 |
| 11. | 50382FU | Hinge, for cylinder cover | 1 |
| 12. | 34382V | Pin, for hinge | 1 |
| 13. | 22541B | Screw, for hinge | 2 |
| 14. | 34382UA | Gasket, for hinge | 1 |
| *15. | 29476TV | Throat Plate Support Assembly, for styles H01, H11, U03 | 1 |
| *16. | 99364L | Shank Screw | 1 |
| 17. | 96277 | Retaining Ring | 1 |
| 18. | 34380 | Throat Plate Support, for styles H01, H11 | 1 |
| 18A. | 34780CA | Throat Plate Support, for styles K01 | 1 |
| 18B. | 34780CB | Throat Plate Support, for styles K02 | 1 |
| 18C. | 34380T | Throat Plate Support, for styles H21 | 1 |
| *19. | 34367B | Safety Latch | 1 |
| *20. | 95685 | Screw | 1 |
| *21. | 97014 | Spring | 1 |
| 22. | 34367 | Stop Bolt | 1 |
| 23. | 50393EU | Plug, for top | 1 |
| 24. | 50382GV | Plate Cover | 1 |
| 25. | SS6090420SP | Screw, for plate cover | 2 |
| 26. | J79J | Screw | 2 |
| 27. | 34381A | Support for Slide | 1 |
| 28. | 91 | Screw, for support for slide | 1 |
| 29. | 34367A | Cover, for throat plate support | 1 |
| 30. | 90 | Screw | 2 |
| 31. | 34381B | Rest for Slide | 1 |
| 32. | 79 | Screw, for rest for slide | 1 |
| 33. | 605C | Screw, for material guide, for styles K01 | 1 |
| 34. | 34703CA | Material Guide, for styles K01 | 1 |
| 35. | 605D | Screw, for material guides, for styles K02 | 1 |
| 36. | 34703B | Material Guide, right, for styles K02 | 1 |
| 37. | 34703A | Material Guide, left, for styles K02 | 1 |
| 38. | 50396G | Splash Guard, for styles H21 | 1 |
| 39. | 69H | Washer, for splash guard, for styles H21 | 1 |

***NOTE:** For the throat plate support numbers 18A., 18B., 18C., asteric items must be ordered seperately to make a complete throat plate support assembly.



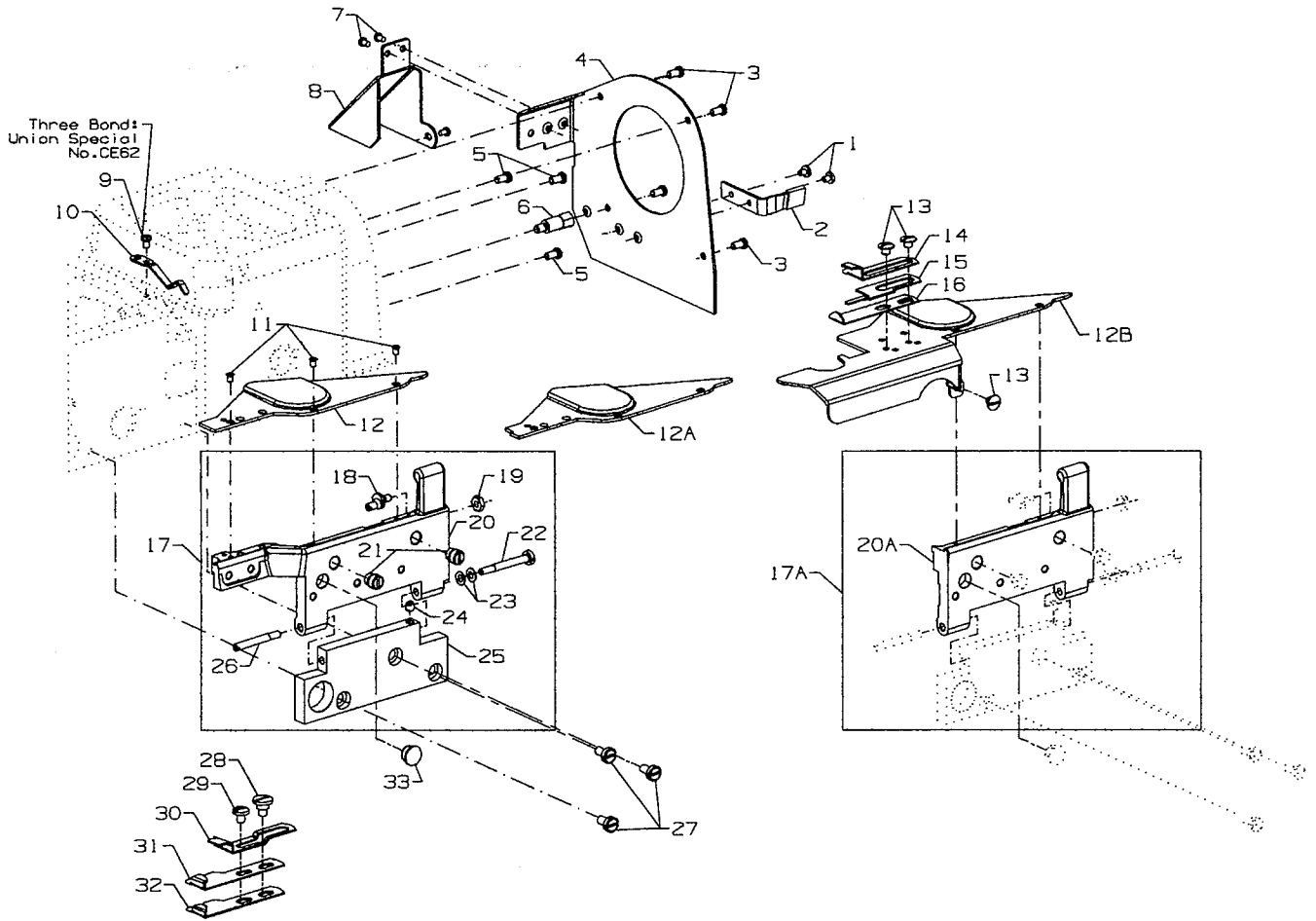
COVERS
FOR E11, E61

| Ref. No. | Part No. | Description | Amt. Req. |
|-------------|-------------|--|--------------|
| 1. | 25S | Screw | 2 |
| 2. | 50389 | Guide Roller Assembly, for E11 Style | 1 |
| 3. | 22561 | Screw | 8 |
| 4. | 34786D | Guide Roller | 2 |
| 5. | 34786C | Bracket, right | 2 |
| 6. | 34786B | Bracket, left | 2 |
| 7. | 50389A | Mounting Bracket | 1 |
| 8. | 50302 | Slide Cover | 1 |
| 9. | 29476UN | Throat Plate Support Assembly, for E11 Style | 1 |
| - | 29476YY | Throat Plate Support Assembly, for E61 Style | 1 |
| 10. | 34367 | Rest Bolt | 1 |
| 11. | 97014 | Spring | 1 |
| 12. | 95685 | Screw | 1 |
| 13. | 34367B | Safety Latch | 1 |
| 14. | 34780 | Throat Plate Support, for E11 Style | 1 |
| 14A. | 34780M | Throat Plate Support, for E61 Style | 1 |
| 15. | 96277 | "E" Ring | 1 |
| 16. | 99364L | Shank Screw | 1 |
| 17. | 50381L | Rest For Slide | 1 |
| 18. | 69H | Washer | 1 |
| 19. | 50396G | Splash Guard | 1 |
| 20. | 22562B | Screw | 1 |
| 21. | 99697J | Latch Spring | 1 |
| 22. | 22746 | Screw, for handle | 1 |
| 23. | 2165D-0.2 | Washer | 1 |
| 24. | 50384F | Gasket | 1 |
| 25. | 34382W | Handle | 1 |
| 26. | C50063N | Washer | 1 |
| 27. | 50382HU | Cylinder Cover | 1 |
| 28. | 22894AY | Set Screw | 1 |
| 29. | 50382JA | Hinge, for cylinder cover | 1 |
| 30. | 34382V | Pin, for hinge | 1 |
| 31. | 34382UA | Gasket, for hinge | 1 |
| 32. | 22541B | Screw, for hinge | 2 |
| 33. | 376 | Screw | 2 |
| 34. | 34778GD | Suction Tube Assembly | 1 |
| 35. | 90 | Screw | 2 |
| 36. | 80265 | Washer | 1 |
| 37. | 34778GF | Bracket | 1 |
| 38. | G50-748D | Cover | 1 |
| 39. | 99675QA-400 | Spiral Hose | 1 |
| 40. | 671C23 | Hose Clamp | 1 |
| 41. | 50301BW | Cloth Plate, front | 1 |
| 42. | 50364X | Swing Out Cloth Plate Support | 1 |
| 43. | 99301A | Screw | 1 |
| 44. | 9937 | Nut | 1 |
| 45. | 50364Y | Folder Support | 1 |
| 46. | 99356 | Stop Screw | 2 |
| 47. | 99350 | Screw | 1 |
| 48. | 97127 | Cup Spring | 2 |
| 49. | 95 | Screw | 1 |
| 50. | 99351 | Screw | 1 |
| 51. | 50364S | Hinge Plate | 1 |
| 52. | 99392 | Screw | 1 |
| 53. | 660-212 | Oil Ring | 1 |
| 54. | 29480ARN | Treadle Assembly | 1 |
| 55. | 29480ASU | Filter Regulator Gauge Kit | 1 |



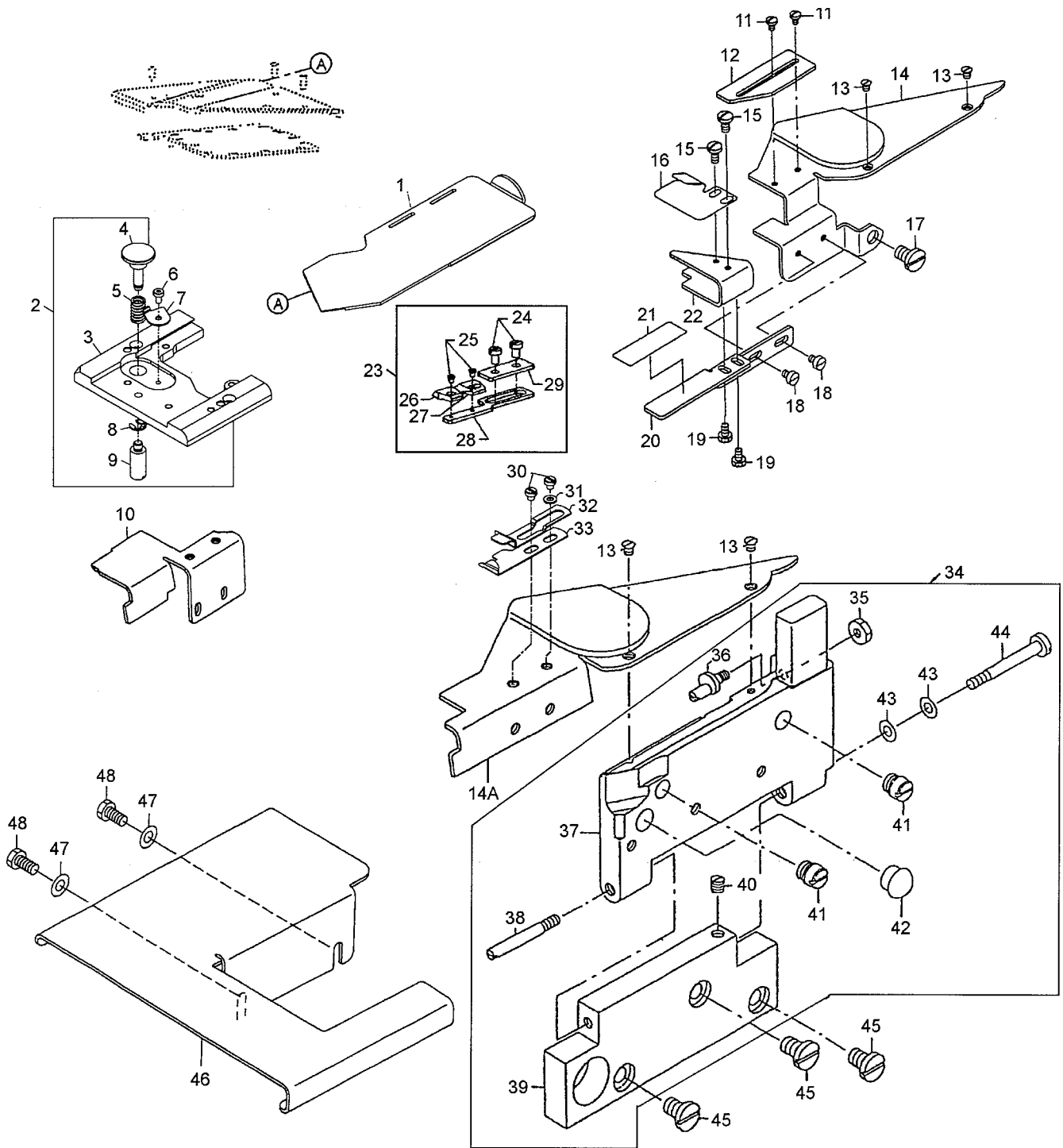
COVERS LOWER BED- MIDDLE

| Ref. No. | Part No. | Description | Amt. Req. |
|----------|-------------|--|-----------|
| 1. | SS4120615SP | Screw | 4 |
| 2. | 35082E | Plate | 1 |
| 3. | 35082F | Gasket | 1 |
| 4. | 34382EA | Gasket, for oil reservoir cover | 1 |
| 5. | 34382J | Oil Reservoir Cover | 1 |
| 6. | 87 | Screw, for oil reservoir cover | 12 |
| 7. | 22548 | Screw, for chamber cover | 4 |
| 8. | 56382D | Chamber Cover | 1 |
| 9. | 34782C | Chamber Cover Gasket | 1 |
| 10. | 50301CP | Cloth Plate Assembly | 1 |
| 11. | 22569AH | Screw, for cloth plate | 3 |
| 12. | 50382HX | Slide Cover, for styles H01, K01 K02 | 1 |
| 12A. | 50302D | Slide Cover, for styles H11 | 1 |
| 12B. | 50302A | Slide Cover, for styles H21 | 1 |



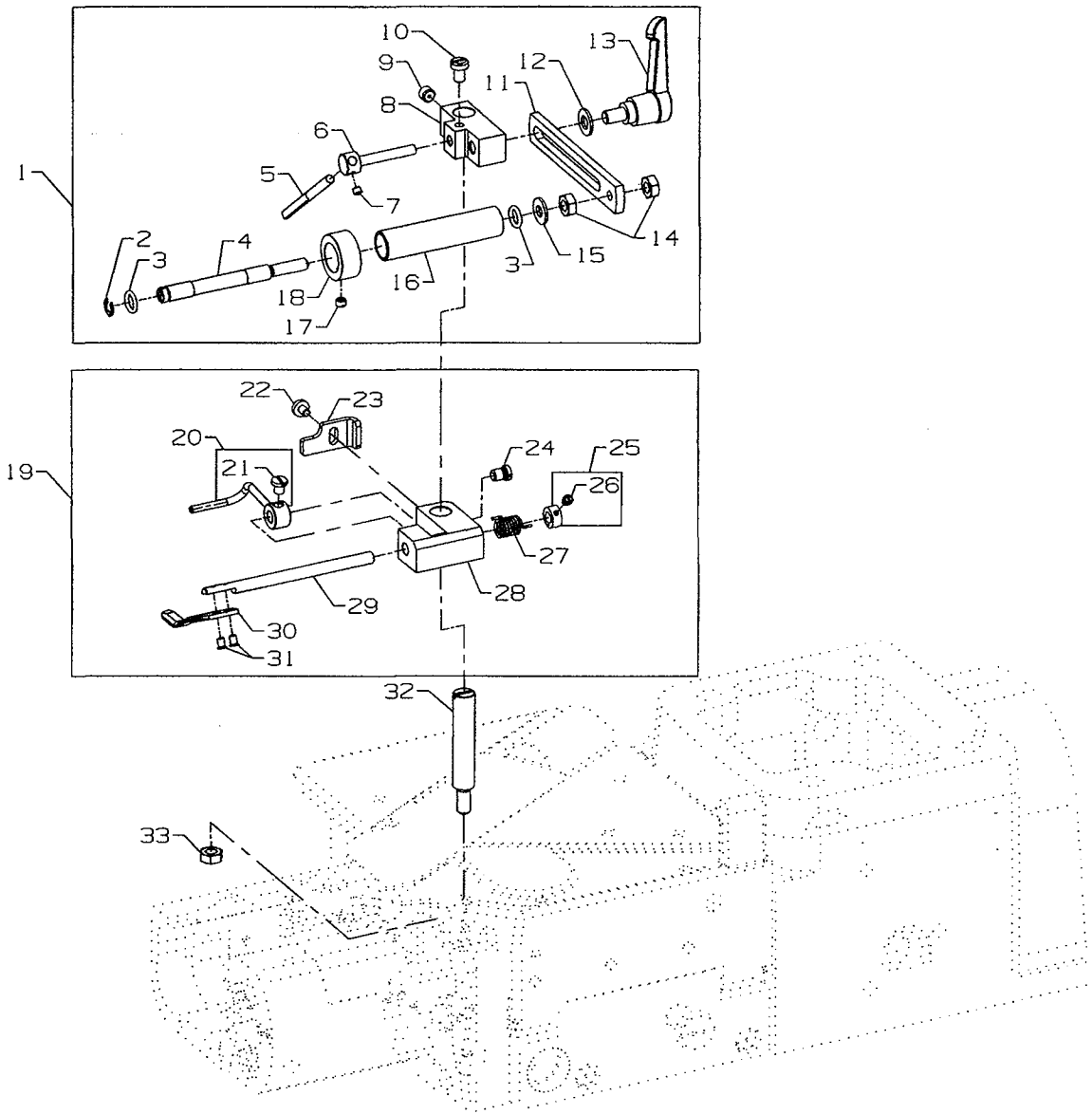
COVERS LOWER BED - REAR
FOR H01, H11, K01, K02, U03

| Ref. No. | Part No. | Description | Amt. Req. |
|-------------|-------------|--|--------------|
| 1. | 22585C | Screw | 2 |
| 2. | 34767K | Synchronizer Stop | 1 |
| 3. | 22569C | Screw | 4 |
| 4. | 50395J | Belt Guard | 1 |
| 5. | 22757E | Screw | 3 |
| 6. | 50395U | Spacer Stud | 1 |
| 7. | SS4090515SP | Screw | 3 |
| 8. | 50382GR | Belt Guard | 1 |
| 9. | SM4040655SP | Screw | 1 |
| 10. | 43281K | Latch Spring | 1 |
| 11. | 22766 | Screw | 3 |
| 12. | 50301BK | Cloth Plate | 1 |
| 12A. | 50364VB | Cloth Plate, for styles H11 | 1 |
| 12B. | 50301BX | Cloth Plate, for styles H21 | 1 |
| 13. | 22730 | Screw, for cloth plate for styles H21 | 3 |
| 14. | 34703ZA | Folder Upper, for styles H21 | 1 |
| 15. | 34703Z | Folder, for styles H21 | 1 |
| 16. | 34703ZB | Folder L, for styles H21 | 1 |
| 17. | 29476SA | Swing-Out Cloth Plate Support, for styles H01, H11, K01, | 1 |
| 17A. | 29476TA | Swing-Out Cloth Plate Support, for styles H21 | 1 |
| 18. | 99301A | Eccentric Screw | 1 |
| 19. | 9937 | Nut | 1 |
| 20. | 50364R | Cloth Plate Support, for styles H01, H11, K01, K02, | 1 |
| 20A. | 50364Z | Cloth Plate Support, for styles H21 | 1 |
| 21. | 99356 | Stop Screw | 2 |
| 22. | 99350 | Shoulder Screw | 1 |
| 23. | 97127 | Spring Washer | 2 |
| 24. | 95 | Set Screw | 1 |
| 25. | 50364S | Hinge Plate | 1 |
| 26. | 99351 | Screw | 1 |
| 27. | 22548 | Screw | 3 |
| 28. | 22715A | Screw, for H01 | 1 |
| 29. | 25S | Screw, for H01 | 1 |
| 30. | 34703F3 | Hemmer, upper, for styles H01 | 1 |
| 31. | 34703F1 | Hemmer, lower, for styles H01 | 1 |
| 32. | 34703FA1 | Hemmer, lower, for styles H01 | 1 |
| 33. | TA1100604R0 | Plug | 1 |



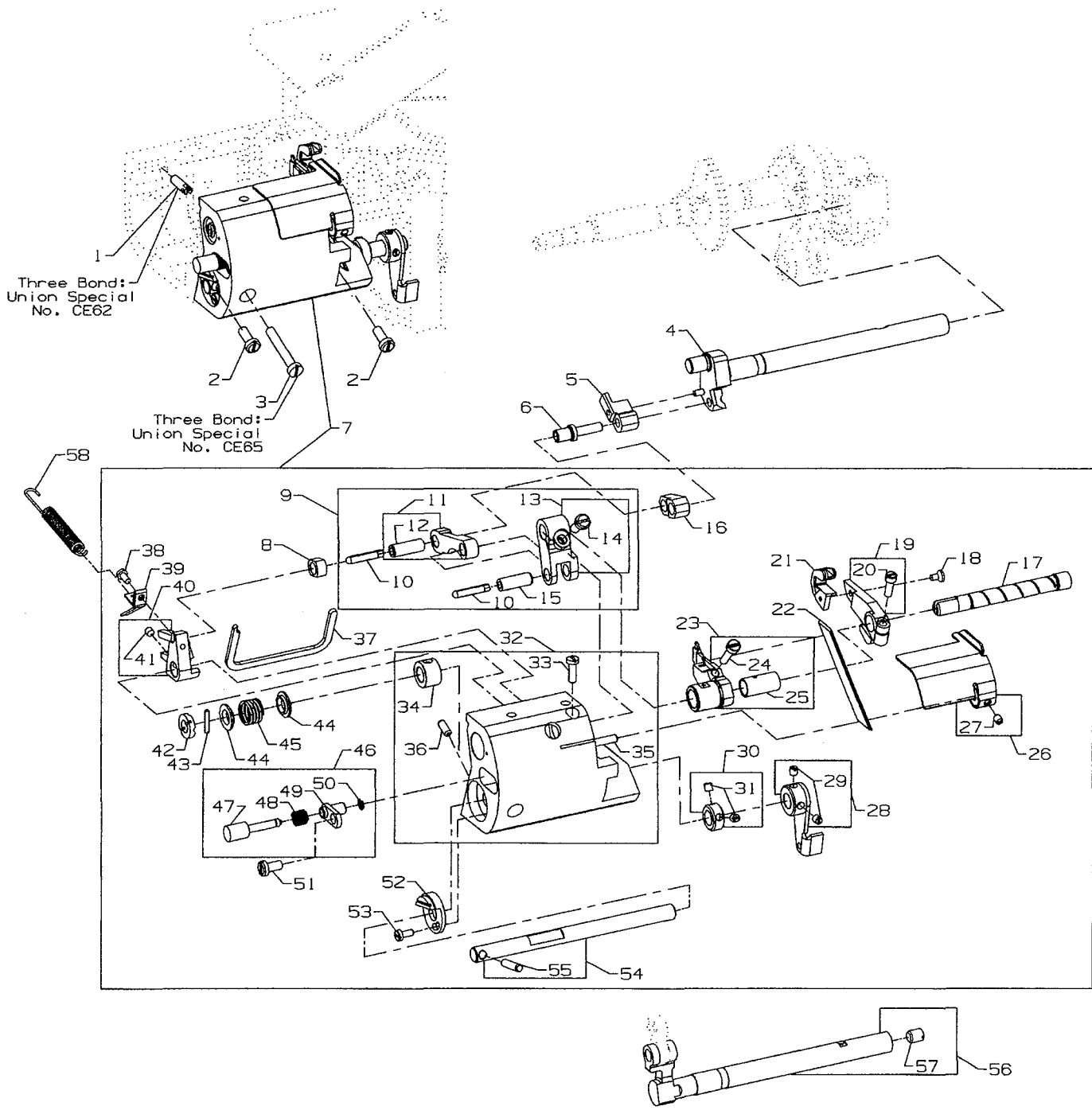
COVERS
FOR C02, U06

| Ref. No. | Part No. | Description | Amt. Req. |
|-------------|-------------|---|--------------|
| 1. | 50302F | Slide Cover | 1 |
| 2. | 29476VR | Throat Plate Support Assembly | 1 |
| 3. | 34380E | Throat Plate Support | 1 |
| 4. | 34367 | Rest Bolt | 1 |
| 5. | 97014 | Spring | 1 |
| 6. | 95685 | Screw | 1 |
| 7. | 34367B | Safety Latch | 1 |
| 8. | 96277 | Retaining Ring | 1 |
| 9. | 99364L | Shank Screw | 1 |
| 10. | 50364AD | Support Cover, for C02 | 1 |
| 11. | 77L | Screw, for C02 | 2 |
| 12. | 34764DA | Cloth Plate Extension, for C02 | 1 |
| 13. | 22766 | Screw | 2 |
| 14. | 50301CV | Cloth Plate, Front, for C02 | 1 |
| 14A. | 50301CW | Cloth Plate, Front, for U06 | 1 |
| 15. | 77F | Screw, for C02 | 2 |
| 16. | 34703X | Fabric Edge Guide, for C02 | 1 |
| 17. | 22730 | Screw, for C02 | 1 |
| 18. | SS6090540SP | Screw, for C02 | 2 |
| 19. | SS9090640SP | Screw, for C02 | 2 |
| 20. | 50383AX | Bracket, for C02 | 1 |
| 21. | 660-1108 | Rubber Seat, for C02 | 1 |
| 22. | 50383AY | Edge Guide Fitting Plate, for C02 | 1 |
| 23. | 29480BCV | Guide Parts Kit | 1 |
| 24. | SM6050810SC | Screw for U06 | 2 |
| 25. | SS4080310SP | Screw for U06 | 2 |
| 26. | 50337AT | Guide, Left, for U06 | 1 |
| 27. | 50337AU | Guide, Right, for U06 | 1 |
| 28. | 50337AF | Guide Plate, for U06 | 1 |
| 29. | 50383BW | Guide Plate, for U06 | 1 |
| 30. | 95169 | Screw, for U06 | 2 |
| 31. | 8372A | Washer, for U06 | 1 |
| 32. | 34703F3 | Upper Hemmer, for U06 | 1 |
| 33. | 34703FA1 | Folder, Lower, for U06 | 1 |
| 34. | 29476VS | Swing Out Cloth Plate Assembly | 1 |
| 35. | 9937 | Nut | 1 |
| 36. | 99301A | Screw | 1 |
| 37. | 50382JV | Front Cover | 1 |
| 38. | 99351 | Screw | 1 |
| 39. | 50364S | Hinge Plate | 1 |
| 40. | 95 | Screw | 1 |
| 41. | 99356 | Screw | 2 |
| 42. | TA1100604R0 | Plug | 1 |
| 43. | 97127 | Spring Washer | 2 |
| 44. | 99350 | Screw | 1 |
| 45. | 22548 | Screw | 3 |
| 46. | 50301CU | Cloth Plate, Left, for C02 | 1 |
| 47. | WP0651001SC | Washer, for C02 | 2 |
| 48. | 25S | Screw, for C02 | 2 |



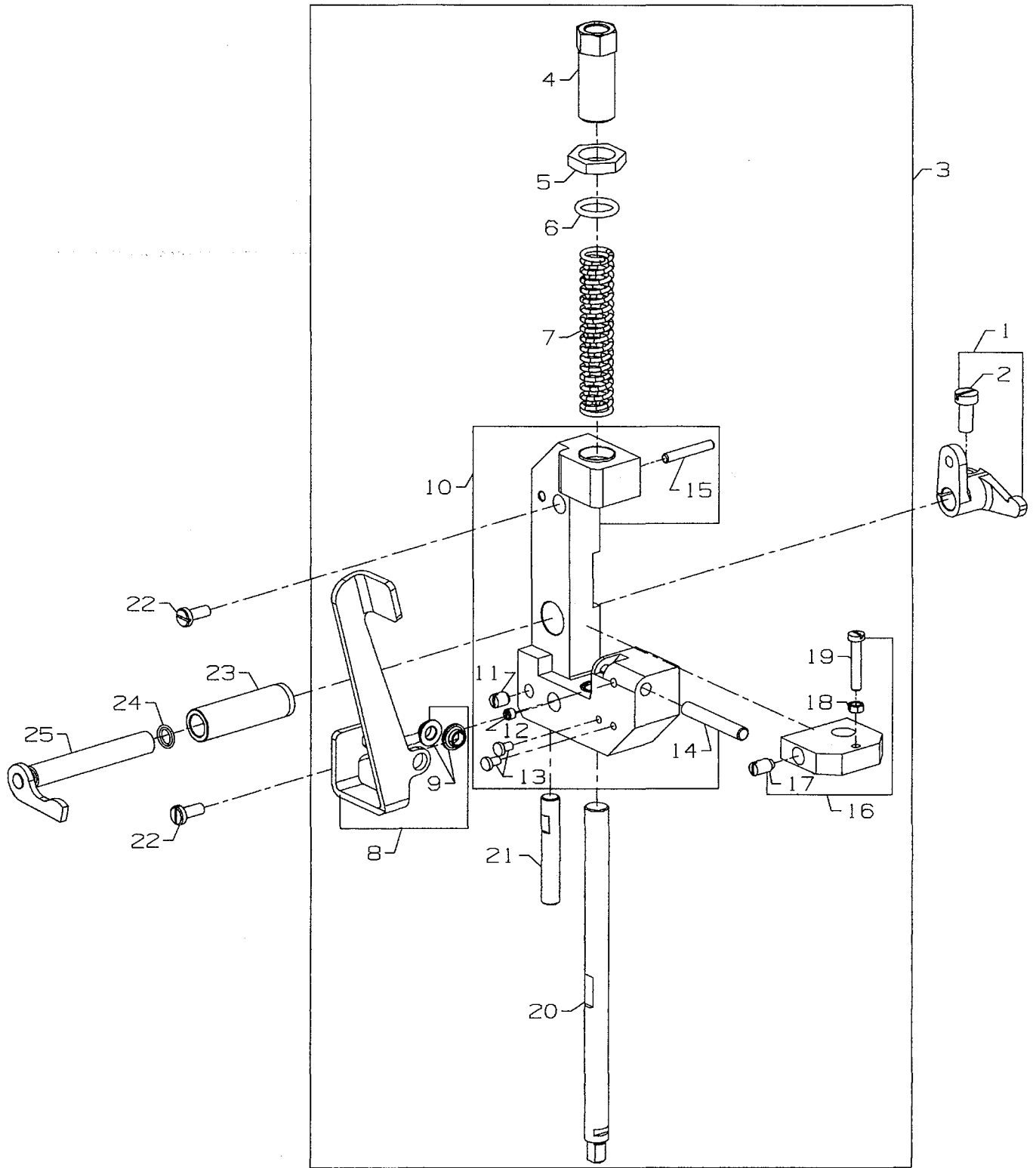
TAPE GUIDE, HOLD DOWN DEVICE
FOR E11, E61

| Ref. No. | Part No. | Description | Amt. Req. |
|-------------|----------|---------------------------------|--------------|
| 1. | 34786G | Tape Guide Assembly | 1 |
| 2. | 96275 | Retaining Ring | 1 |
| 3. | 999-30 | "O" Ring | 2 |
| 4. | 34786GE | Shaft | 1 |
| 5. | 34786GA | Tape Guide | 1 |
| 6. | 34786GB | Support | 1 |
| 7. | 22894AY | Screw | 1 |
| 8. | 34783N | Support | 1 |
| 9. | 22894X | Screw | 1 |
| 10. | 93A | Screw | 1 |
| 11. | 34786GC | Bracket | 1 |
| 12. | 95951 | Washer | 1 |
| 13. | 999-90B | Clamping Lever | 1 |
| 14. | 18 | Nut | 2 |
| 15. | 21657E | Washer | 1 |
| 16. | 34786GG | Roller | 1 |
| 17. | 88B | Screw | 1 |
| 18. | 34786GF | Collar | 1 |
| 19. | 34731 | Hold Down Device Assembly | 1 |
| 20. | 34731D | Lever | 1 |
| 21. | 22570B | Screw | 1 |
| 22. | 22585C | Screw | 1 |
| 23. | 34731C | Stop | 1 |
| 24. | 22836 | Screw | 1 |
| 25. | 39531B | Collar | 1 |
| 26. | 604 | Screw | 1 |
| 27. | 97113 | Torsion Spring | 1 |
| 28. | 34731B | Material Hold Down Guide | 1 |
| 29. | 39531A | Shaft | 1 |
| 30. | 50337BE | Support | 1 |
| 31. | 77K | Screw | 2 |
| 32. | 99391 | Spacer Stud | 1 |
| 33. | 18 | Nut | 1 |



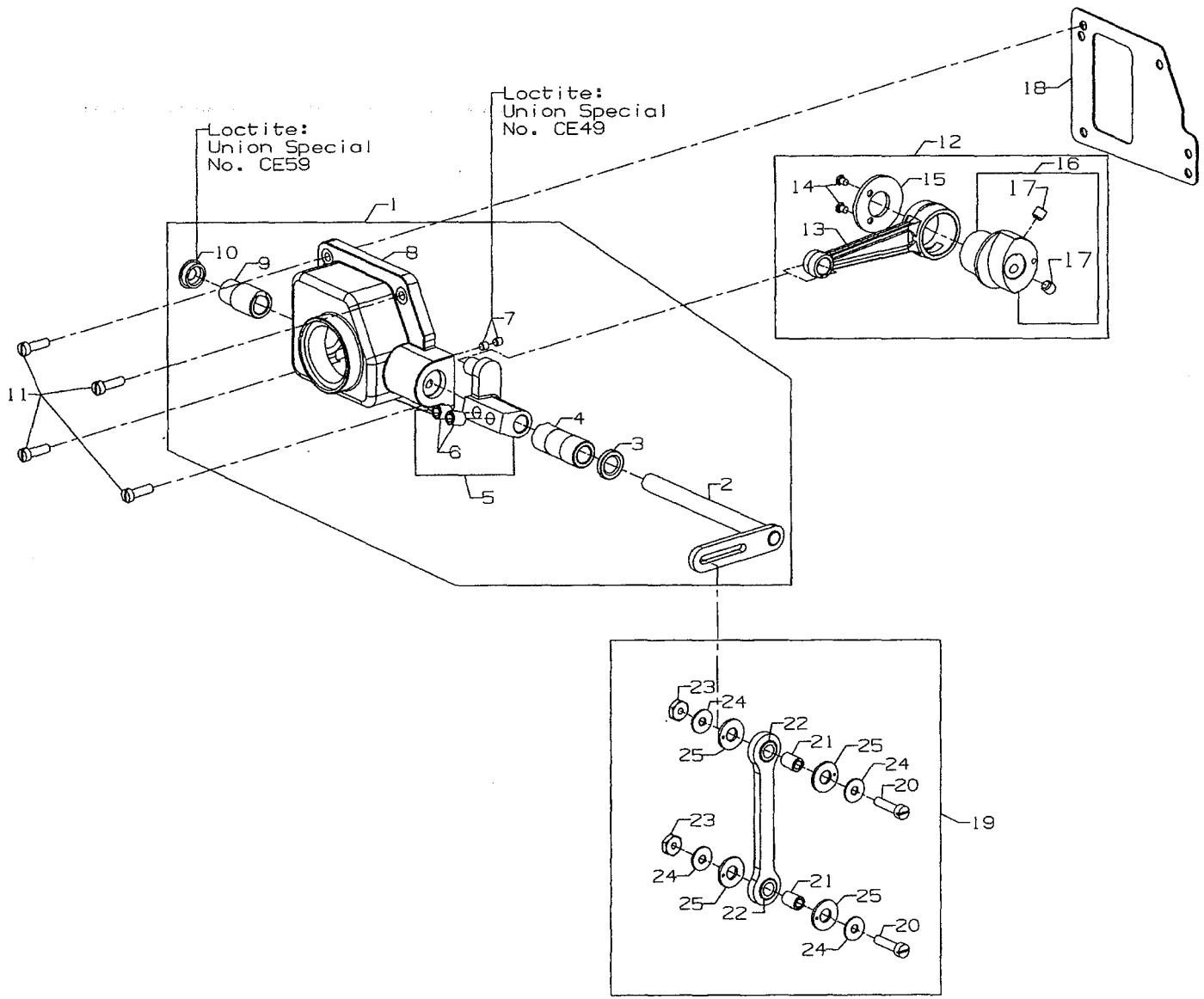
RIGHT HAND FABRIC TRIMMER ASSEMBLY
FOR E11, E61

| Ref. No. | Part No. | Description | Amt. Req. |
|-------------|----------|------------------------------|--------------|
| 1. | G51347A | Screw | 1 |
| 2. | 93 | Screw | 2 |
| 3. | 22874F | Screw | 1 |
| 4. | 50322BH | Shaft | 1 |
| 5. | 34738A | Spacer | 1 |
| 6. | 99370 | Screw | 1 |
| 7. | 29924M | Under Trimmer Assembly | 1 |
| 8. | 34771G | Slide Block | 1 |
| 9. | 34771A | Lever Assembly | 1 |
| 10. | 666-149 | Wick | 2 |
| 11. | 34771B | Connecting Rod | 1 |
| 12. | G51054 | Joint Pin | 1 |
| 13. | 34771AA | Lever | 1 |
| 14. | 93 | Screw | 1 |
| 15. | G51054 | Joint Pin | 1 |
| 16. | 34771K | Connection | 1 |
| 17. | 34785 | Shaft | 1 |
| 18. | 22894BG | Screw | 1 |
| 19. | 34771PA | Upper Knife Lever | 1 |
| 20. | 22729 | Screw | 1 |
| 21. | 34770H | Upper Knife | 1 |
| 22. | 34749B | Lower Knife | 1 |
| 23. | 34750EA | Knife Holder | 1 |
| 24. | 22729AB | Screw | 1 |
| 25. | 34750A | Bushing | 1 |
| 26. | 34779 | Edge Guide | 1 |
| 27. | 22565C | Screw | 1 |
| 28. | 34771L | Lever | 1 |
| 29. | 88 | Screw | 2 |
| 30. | 12865 | Collar | 1 |
| 31. | 88 | Screw | 2 |
| 32. | 34739N | Housing | 1 |
| 33. | 22585R | Screw | 1 |
| 34. | 34739A | Bushing | 1 |
| 35. | 96529 | Pin | 1 |
| 36. | 51280J | Pin | 2 |
| 37. | 1266001 | Gasket | 1 |
| 38. | 77L | Screw | 1 |
| 39. | 34771J | Stop | 1 |
| 40. | 34771D | Lever | 1 |
| 41. | 89 | Screw | 1 |
| 42. | 99369 | Nut | 1 |
| 43. | 96530 | Pin | 1 |
| 44. | 34771E | Spring Washer | 2 |
| 45. | 97016 | Spring | 1 |
| 46. | 34763B | Locking Plate Assembly | 1 |
| 47. | 34763C | Bolt | 1 |
| 48. | 97015 | Spring | 1 |
| 49. | 34763BA | Locking Plate | 1 |
| 50. | 660-210 | Retaining Ring | 1 |
| 51. | 22528 | Screw | 1 |
| 52. | 34771H | Stop | 1 |
| 53. | J87J | Screw | 1 |
| 54. | 34771C | Shaft | 1 |
| 55. | 34771F | Pin | 1 |
| 56. | 34734 | Shaft, for feed drive | 1 |
| 57. | CO67B | Cork Plug | 2 |
| 58. | 96722 | Spring | 1 |



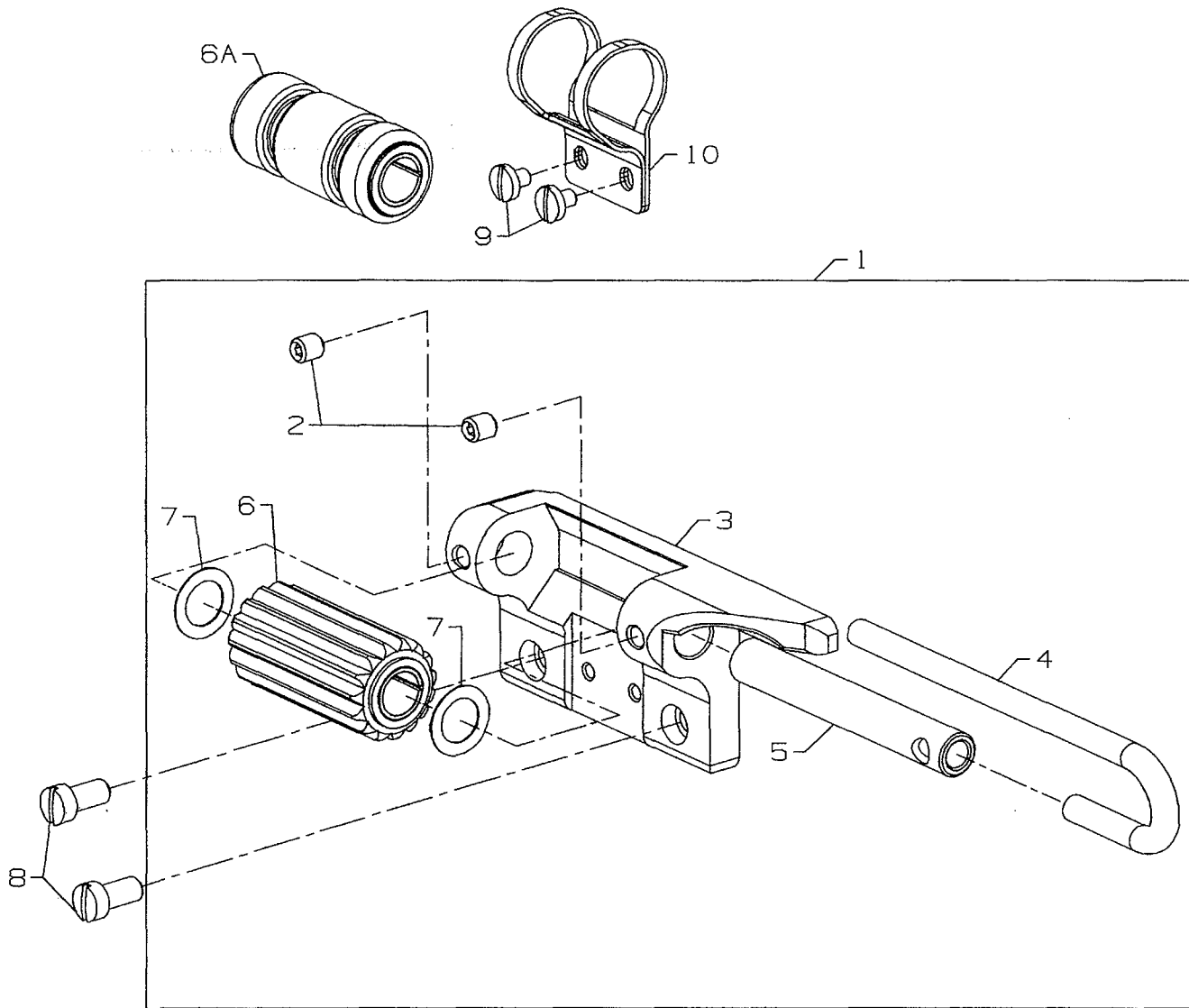
PULLER LIFTER ASSEMBLY
FOR E61, H11

| Ref. No. | Part No. | Description | Amt. Req. |
|-------------|-------------|----------------------------------|--------------|
| 1. | 50377VA | Lever, lifter front | 1 |
| 2. | SS6151440SP | Screw | 1 |
| 3. | 29476UX | Puller Lifter Assembly | 1 |
| 4. | 59477 | Regulator | 1 |
| 5. | 35733G | Nut | 1 |
| 6. | 660-212 | "O" Ring | 1 |
| 7. | 50377L | Spring | 1 |
| 8. | 50377C | Lever, lifter | 1 |
| 9. | 50344AT | Bushing | 2 |
| 10. | 50377D | Bracket, for roller lifter | 1 |
| 11. | SS8150710SP | Set Screw | 1 |
| 12. | SS8120410SP | Set Screw | 1 |
| 13. | 50337AM | Bumper | 1 |
| 14. | 50377AF | Pin | 1 |
| 15. | 96529 | Pin | 1 |
| 16. | 50377M | Lifter | 1 |
| 17. | SS8151150SP | Screw | 1 |
| 18. | NS6110310SP | Nut | 1 |
| 19. | SS7112420SP | Screw | 1 |
| 20. | 50377AM | Bar, roller presser | 1 |
| 21. | 50377AR | Guide Pin | 1 |
| 22. | SS6121220TP | Screw | 2 |
| 23. | 50377T | Bushing, lifter link | 1 |
| 24. | RO068190100 | "O" Ring | 1 |
| 25. | 50377G | Lever, puller lifter | 1 |



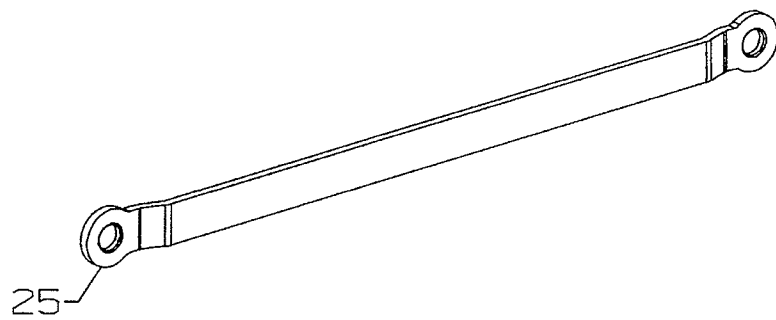
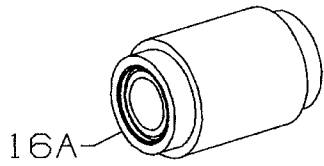
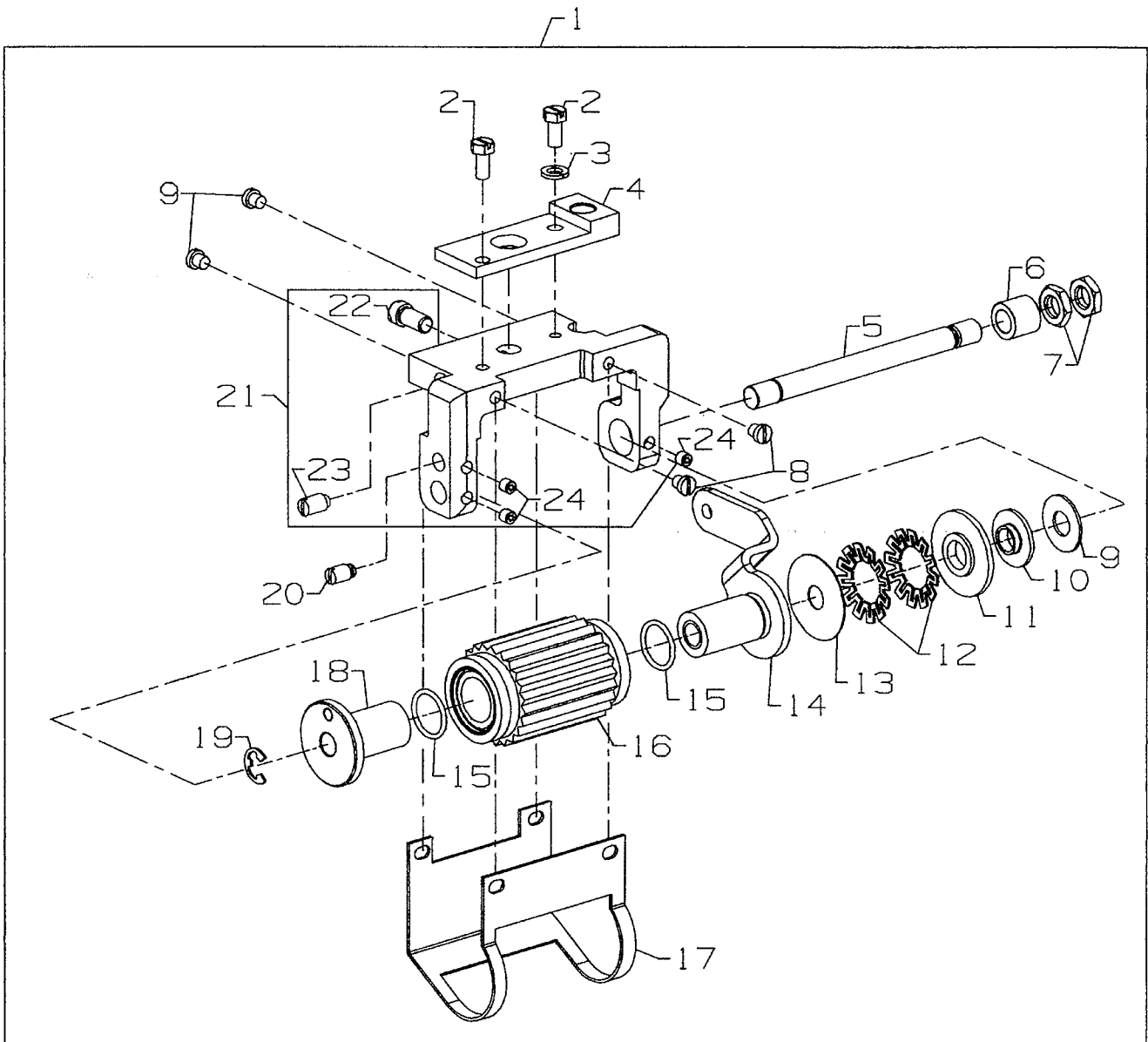
PULLER DRIVE ASSEMBLY
FOR E61, H11

| Ref. No. | Part No. | Description | Amt. Req. |
|-------------|-------------|---|--------------|
| 1. | 29476SP | Puller Drive Assembly | 1 |
| 2. | 50377F | Roller Driving Arm | 1 |
| 3. | 660-893 | Seal | 1 |
| 4. | 50377S | Bushing | 1 |
| 5. | 50377E | Lever, Puller Drive | 1 |
| 6. | SS8701042TP | Screw | 2 |
| 7. | SS8110422TP | Set Screw | 2 |
| 8. | 50377U | Housing, Puller Drive | 1 |
| 9. | 50377P | Bushing | 1 |
| 10. | TA1450404R0 | Rubber Plug | 1 |
| 11. | SS7121610SP | Screw | 4 |
| 12. | 50377Z | Connecting Rod Eccentric Assembly | 1 |
| 13. | 50377AA | Connecting Rod | 1 |
| 14. | SS2090620SP | Screw | 2 |
| 15. | 50386 | Washer | 1 |
| 16. | 50377AB | Eccentric | 1 |
| 17. | SS8660612TP | Screw | 2 |
| 18. | 50384L | Gasket | 1 |
| 19. | 50377J | Roller Drive Link Assembly | 1 |
| 20. | SS6122030SP | Screw | 2 |
| 21. | 50344AP | Bushing, link | 2 |
| 22. | 660-303 | Bearing | 2 |
| 23. | NS6120480SP | Nut | 2 |
| 24. | WP0501046SC | Washer | 4 |
| 25. | 660-1089 | Thrust Washer | 4 |



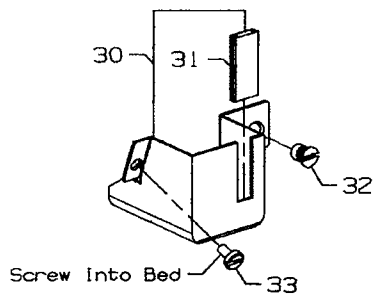
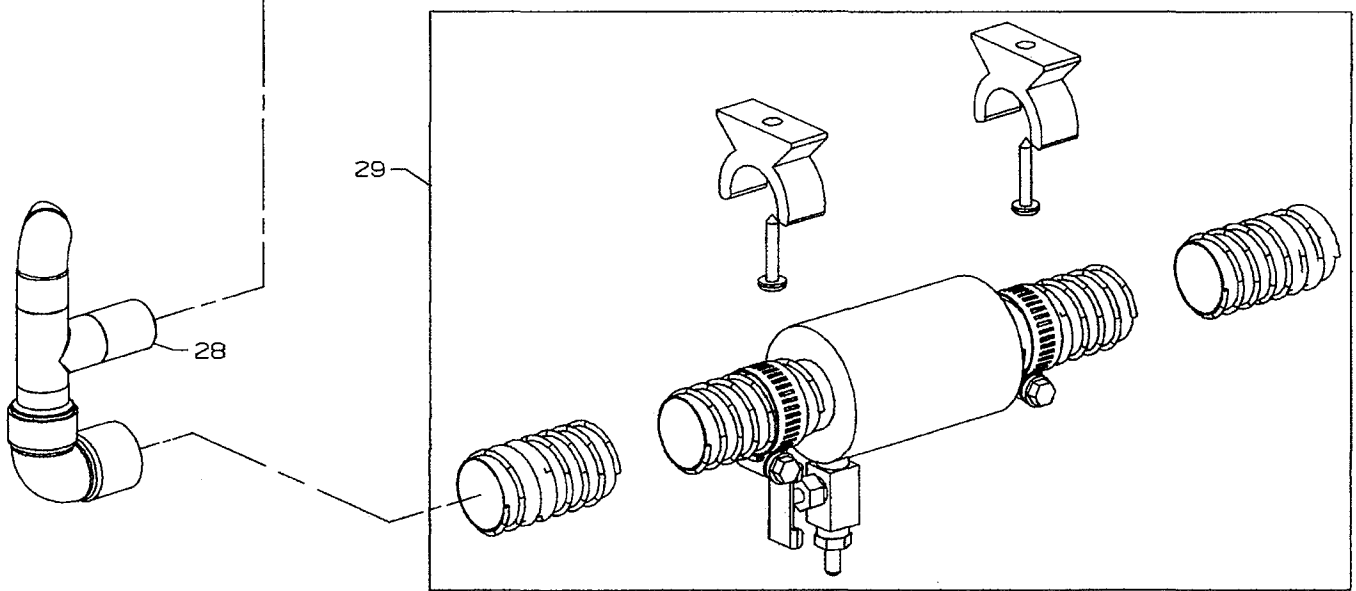
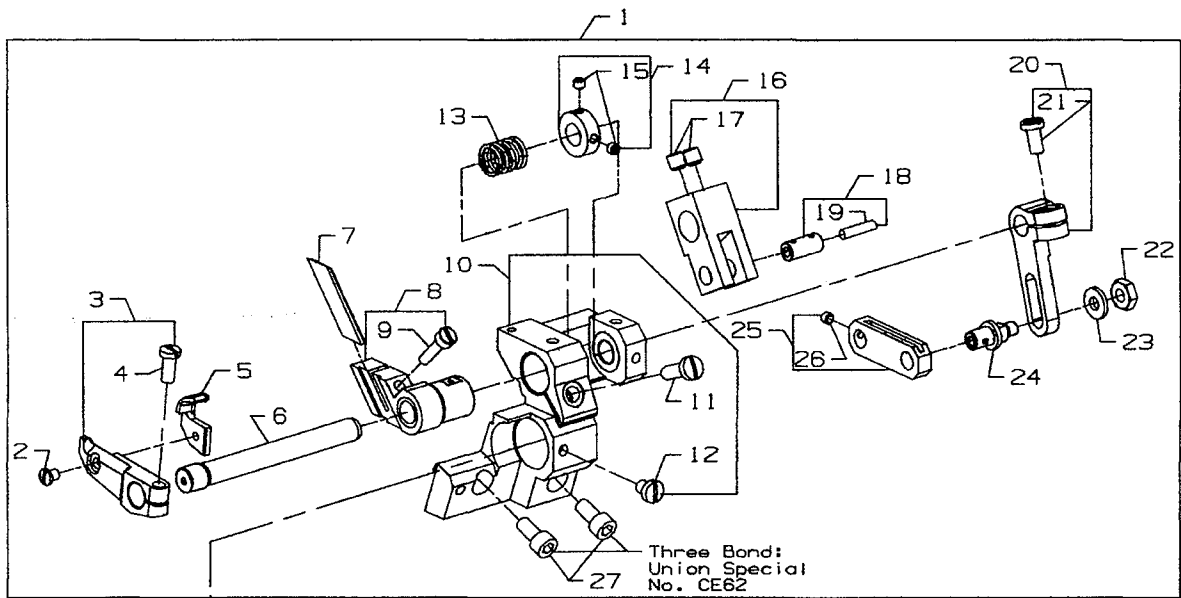
LOWER ROLLER ASSEMBLY
FOR E61,H11

| Ref. No. | Part No. | Description | Amt. Req. |
|-------------|----------|---|--------------|
| 1. | 29476XU | Lower Roller Assembly, for E61/PL1, H11/PL1 | 1 |
| - | 29476SW | Lower Roller Assembly, for E61/PL1S, H11/PL1S | 1 |
| 2. | 22894AD | Set Screw | 2 |
| 3. | 34380B | Bracket (Standard) Cylinder | 1 |
| 4. | 34767 | Guard | 1 |
| 5. | 34776B | Shaft | 1 |
| 6. | 50377AT | Lower Roller, for E61/PL1, H11/PL1 | 1 |
| 6A. | 34776F | Lower Roller (Smooth), for E61/PL1S, H11/PL1S | 1 |
| 7. | 50386E | Washer, plastic | 2 |
| 8. | 22517 | Screw, for lower roller assembly | 2 |
| 9. | 22585C | Screw | 2 |
| 10. | 34380C | Roller Guard, for E61/PL1S, H11/PL1S | 1 |



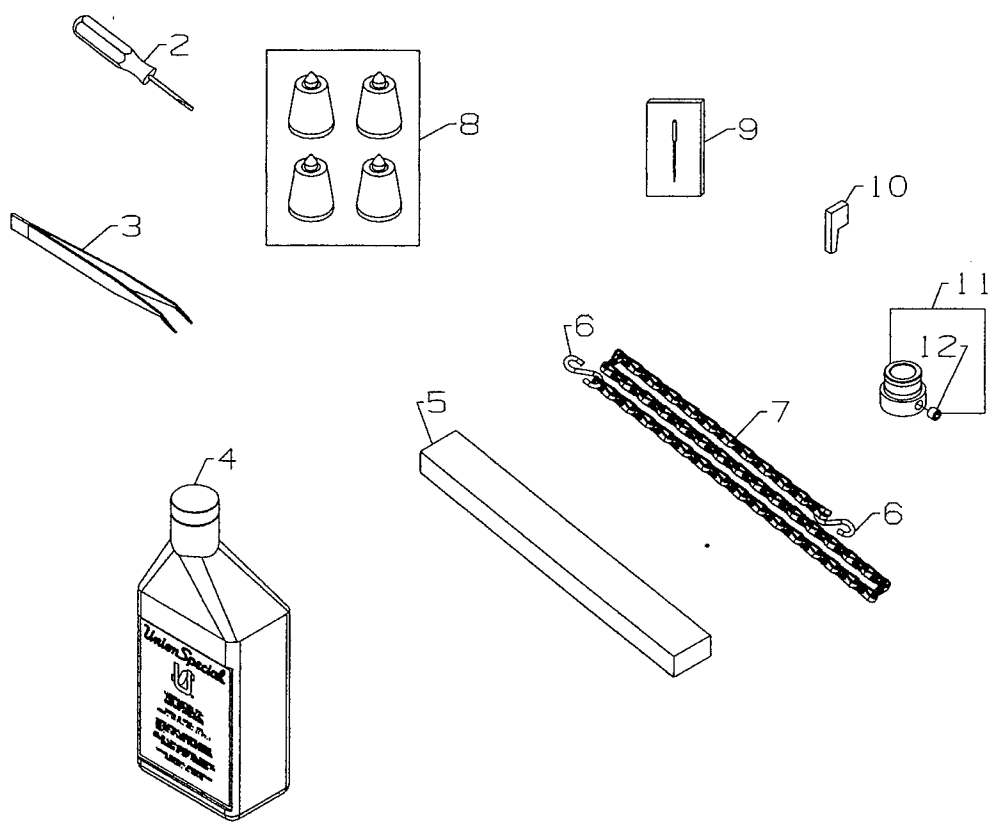
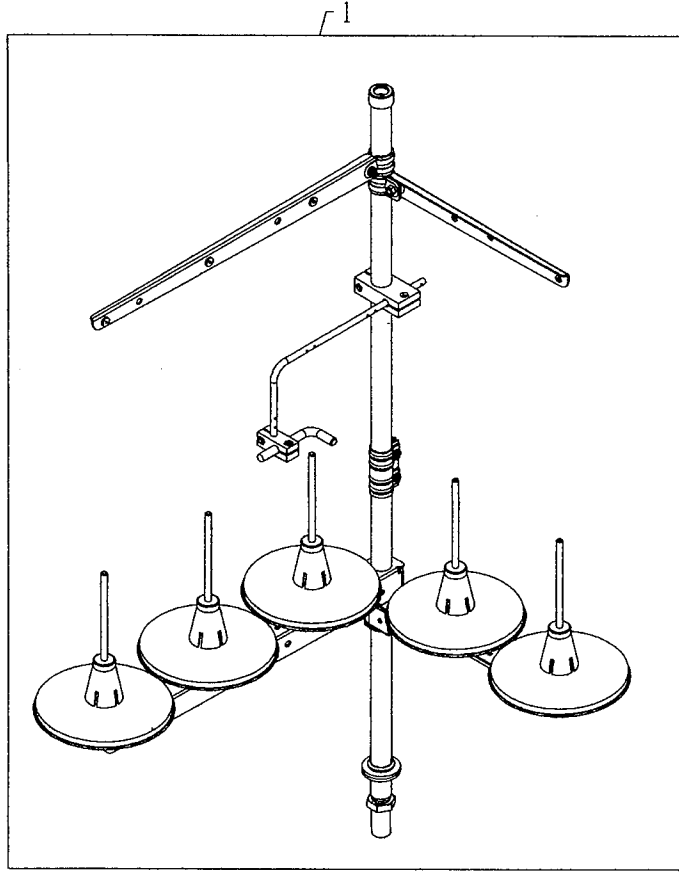
UPPER ROLLER ASSEMBLY
FOR E61, H11

| Ref. No. | Part No. | Description | Amt. Req. |
|----------|-------------|--|-----------|
| 1. | 29476UV | Upper Roller Assembly, for E61/PL1, H11/PL1 | 1 |
| - | 29476SS | Upper Roller Assembly, for E61/PL1S, H11/PL1S | 1 |
| 2. | SS9111010SP | Hex Screw | 2 |
| 3. | WS0510002KP | Lock Washer | 1 |
| 4. | 50378AD | Guide Plate | 1 |
| 5. | 34774 | Shaft | 1 |
| 6. | 34778A | Bushing | 1 |
| 7. | 11638M | Stud Nut | 2 |
| 8. | SS7110410SP | Screw | 4 |
| 9. | C50077K | Washer | 1 |
| 10. | 34778C | Bushing | 1 |
| 11. | 50377AE | Disc | 1 |
| 12. | 661-261 | Cup Spring | 2 |
| 13. | 50386B | Washer | 1 |
| 14. | 50377H | Lever Assembly | 1 |
| 15. | 661-149 | "O" Ring | 2 |
| 16. | 50375Y | Roller Assembly, for E61/PL1, H11/PL1 | 1 |
| 16A. | 50375V | Roller Assembly (Smooth), for E61/PL1S, H11/PL1S | 1 |
| 17. | 50377AC | Roller Guard | 1 |
| 18. | 50377AD | Bushing | 1 |
| 19. | 96278 | "E" Ring | 1 |
| 20. | 22892C | Shoulder Screw | 1 |
| 21. | 50377AK | Feed Roller Yoke Assembly | 1 |
| 22. | SS6151220SP | Hex Screw | 1 |
| 23. | SS8151150SP | Screw | 1 |
| 24. | SS8110422TP | Set Screw | 3 |
| 25. | 50355AS | Wire Connector | 1 |



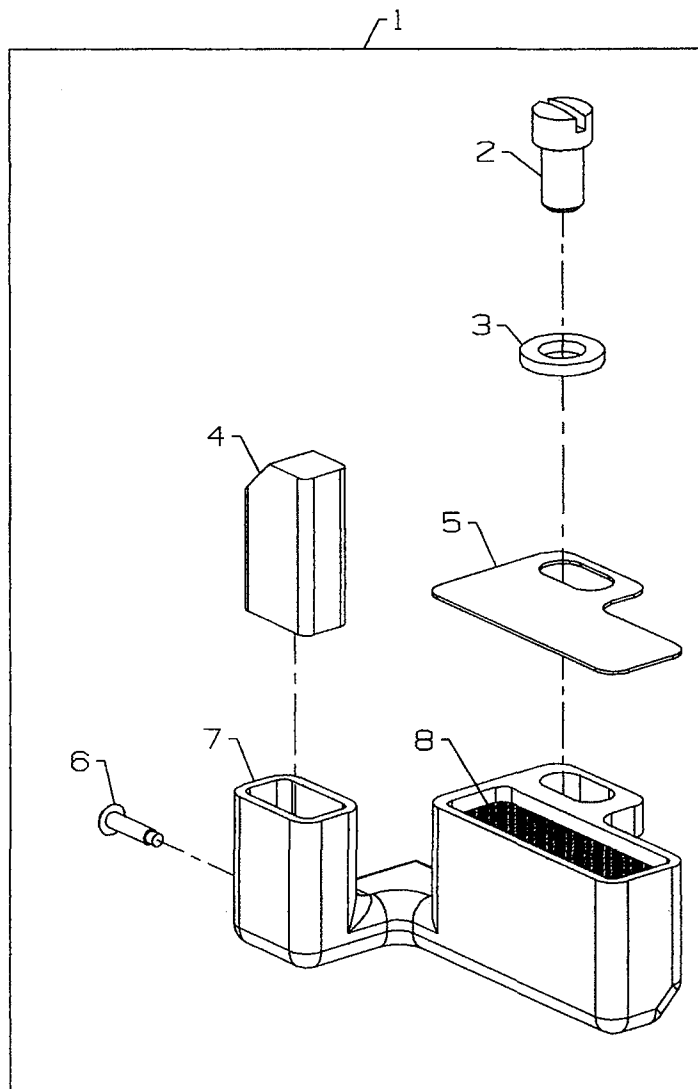
LEFT HAND FABRIC TRIMMER ASSEMBLY
FOR H21

| Ref. No. | Part No. | Description | Amt. Req. |
|-------------|-------------|--------------------------------|--------------|
| 1. | 29924LA | Fabric Trimmer Assembly | 1 |
| 2. | SS7090530SP | Screw | 1 |
| 3. | 50372A | Knife Lever | 1 |
| 4. | SS7111120TP | Screw | 1 |
| 5. | 50370J | Upper Knife | 1 |
| 6. | 34785L | Shaft | 1 |
| 7. | 34749EL | Lower Knife | 1 |
| 8. | 50372B | Lower Knife Holder | 1 |
| 9. | 22729ABA | Screw | 1 |
| 10. | 34739L | Support Block | 1 |
| 11. | 22596 | Screw | 1 |
| 12. | 25CC | Screw | 1 |
| 13. | 97005D | Spring | 1 |
| 14. | 33688 | Adjusting Collar | 1 |
| 15. | 22894AY | Screw | 2 |
| 16. | 34771SL | Lever | 1 |
| 17. | 22894C | Screw | 2 |
| 18. | 34336P | Link Pin | 1 |
| 19. | 666-149 | Oil Wick | 1 |
| 20. | 34771VL | Lever | 1 |
| 21. | 22528 | Screw | 1 |
| 22. | 9937 | Hex Nut | 1 |
| 23. | 4611U | Washer | 1 |
| 24. | 34771UL | Adjusting Bolt | 1 |
| 25. | 34771TL | Connecting Link | 1 |
| 26. | 22894Y | Set.Screw | 1 |
| 27. | 95412 | Screw | 2 |
| 28. | 671B115 | Suction Tube | 1 |
| 29. | 29480AWK | Exhaust Assembly | 1 |
| 30. | 50396L | Guard | 1 |
| 31. | 50382JU | Sliding Cover, For Guard | 1 |
| 32. | 22807 | Screw | 1 |
| 33. | 98A | Screw | 1 |



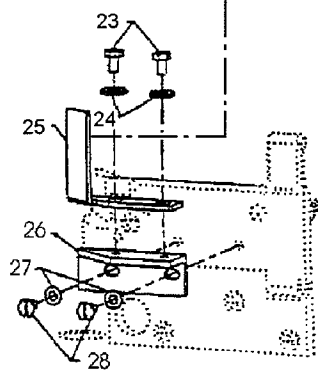
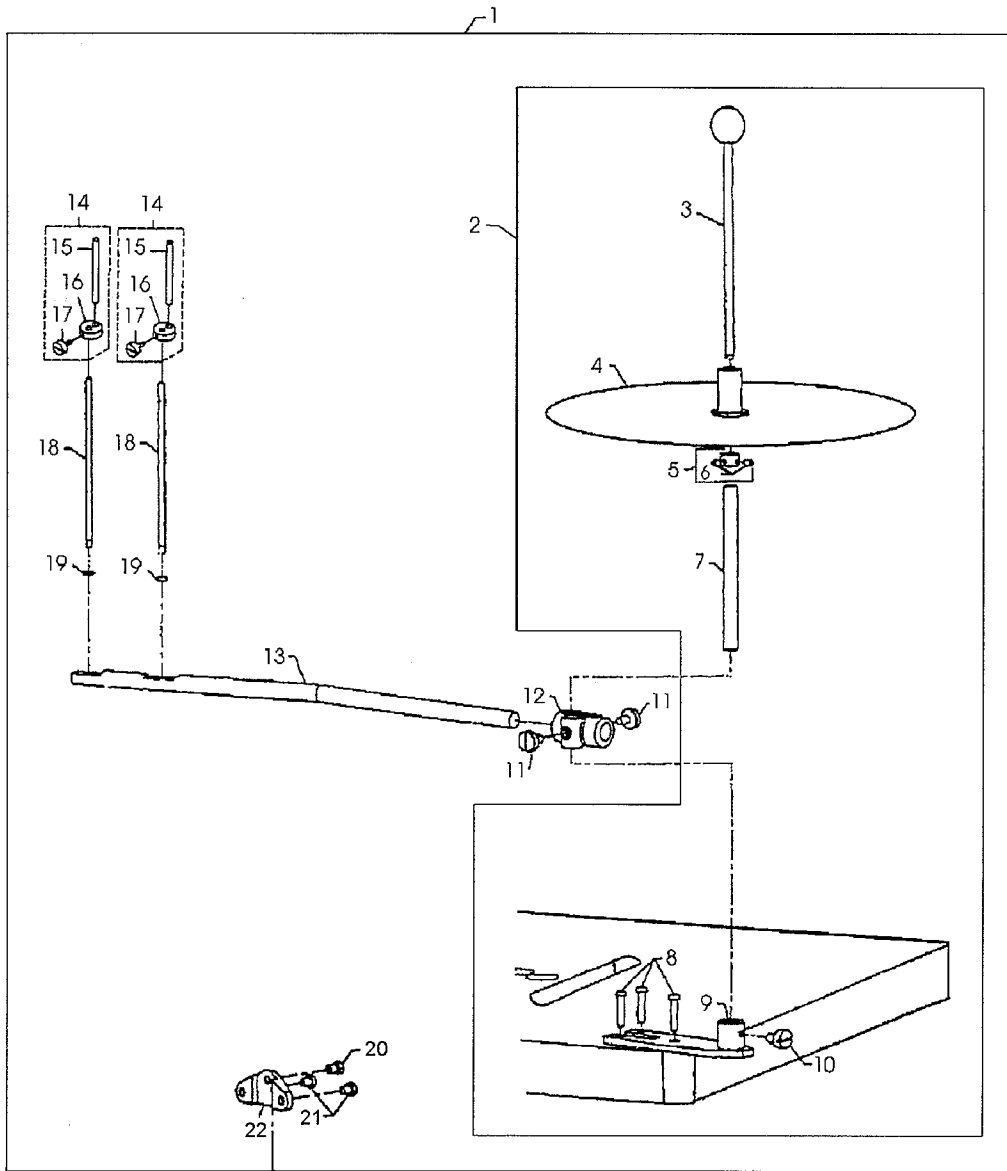
ACCESSORIES

| Ref. No. | Part No. | Description | Amt. Req. |
|-------------|---------------|------------------------------------|--------------|
| 1. | 11969557 | Thread Stand (5 cones) | 1 |
| 2. | G21201 | Screwdriver, for needle head | 1 |
| 3. | 12288403 | Thread Tweezer | 1 |
| 4. | 28604R | Oil (1 pint) | 1 |
| 5. | 34395 | Profile Rubber | 1 |
| 6. | 660-264 | "S" Hook | 2 |
| 7. | 421D42 | Chain | 1 |
| 8. | 51295B | Isolator | 4 |
| 9. | 128GBS075/029 | Needles | 1 |
| 10. | B9214850000 | Felt, for 50363CK | 1 |
| 11. | 34321CC | Flange Synchronizer | 1 |
| 12. | 95205 | Screw | 1 |



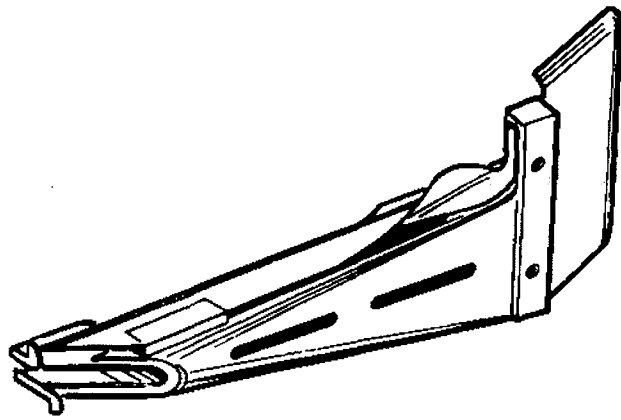
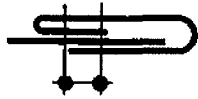
NEEDLE DIPPER (EXTRA SEND CHARGE)

| Ref. No. | Part No. | Description | Amt. Req. |
|----------|-------------|--------------------------------|-----------|
| 1. | 29480AZV | Needle Dipper Assembly | 1 |
| 2. | 22562B | Screw, for needle dipper | 1 |
| 3. | 80265 | Washer | 1 |
| 4. | 50393GW | Felt | 1 |
| 5. | 50382KD | Needle Dipper Cover | 1 |
| 6. | 666-197 | Pin, for oil wick | 1 |
| 7. | 50393KZ | Needle Dipper | 1 |
| 8. | CQ200000000 | Oil Wick | 1 |



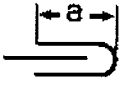
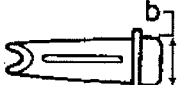


ACCESSORIES
FOR C02

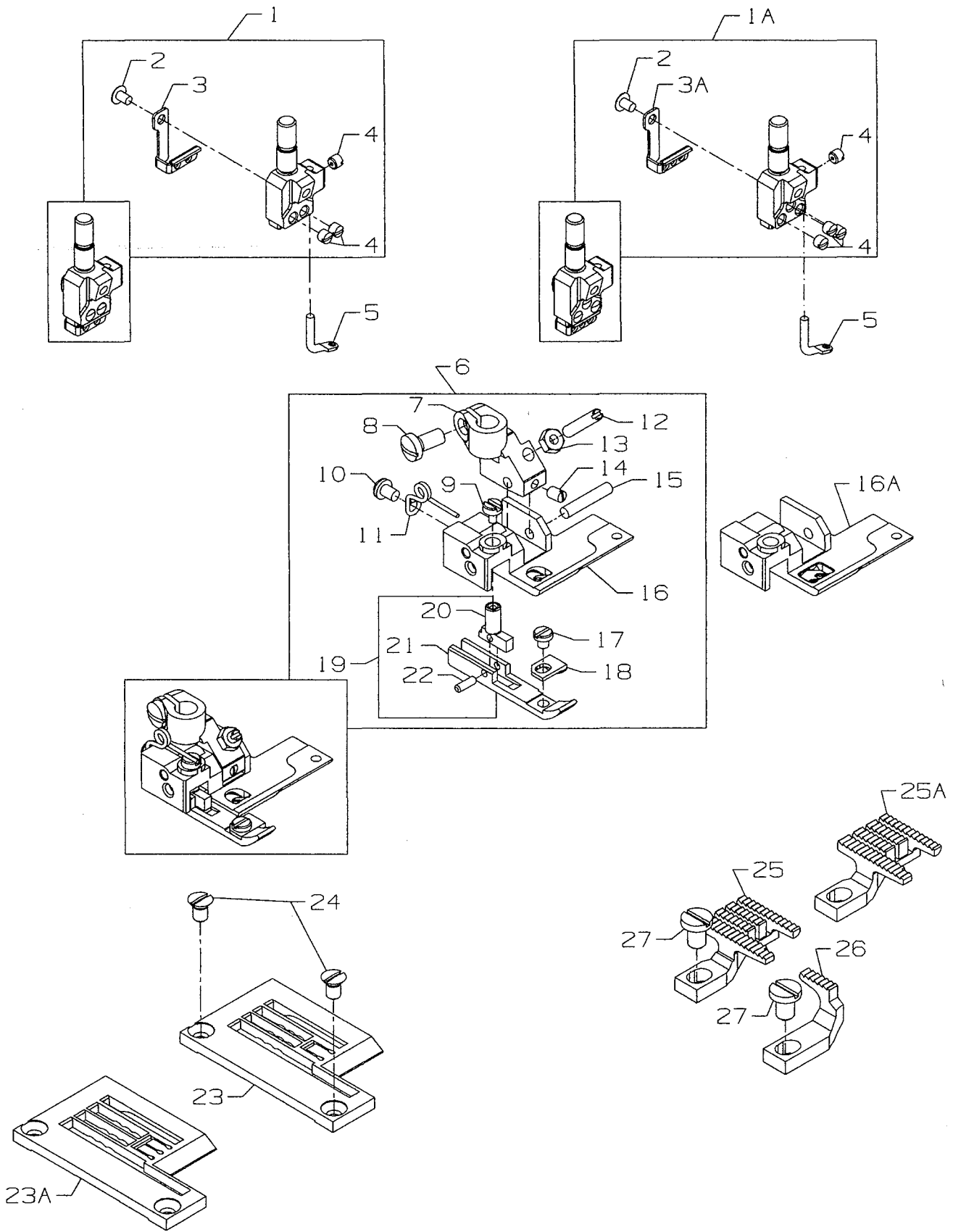
| Ref. No. | Part No. | Description | Amt. Req. |
|-------------|-------------|-----------------------------|--------------|
| 1. | 29480AWY | Strip Tension Kit | 1 |
| 2. | 29480BBS | Tape Reel Assembly | 1 |
| 3. | 50322L | Support Shaft | 1 |
| 4. | 50392C | Tape Base Assembly | 1 |
| 5. | 482C | Collar | 1 |
| 6. | 22894C | Screw | 2 |
| 7. | 50322BA | Shaft | 1 |
| 8. | 90561K | Wood Screw | 3 |
| 9. | 50364A | Holder | 1 |
| 10. | 22728 | Screw | 1 |
| 11. | 22728 | Screw | 2 |
| 12. | 50392BD | Connection | 1 |
| 13. | 50392BE | Tape Guide Base | 1 |
| 14. | 50378Z | Tape Guide Assembly | 2 |
| 15. | 50330FZ | Tape Guide Bar | 1 |
| 16. | 50330BK | Tape Guide | 1 |
| 17. | MAL01110000 | Screw | 1 |
| 18. | G50-403 | Tape Guide Shaft | 2 |
| 19. | 907 | Nut | 2 |
| 20. | 22852G | Screw | 1 |
| 21. | SS7110510SP | Screw | 2 |
| 22. | 23432B | Holder, Clamp | 1 |
| 23. | 22882 | Screw | 2 |
| 24. | HA20A | Washer | 2 |
| 25. | 34764E | Holder, Holding Plate | 1 |
| 26. | 34764F | Holding Plate | 1 |
| 27. | 20 | Washer | 2 |
| 28. | 22882 | Screw | 2 |



C02 FOLDER
(EXTRA SEND & CHARGE)

Collarete Folder, seam spec. BSb. Please specify strip width and finish in mm.

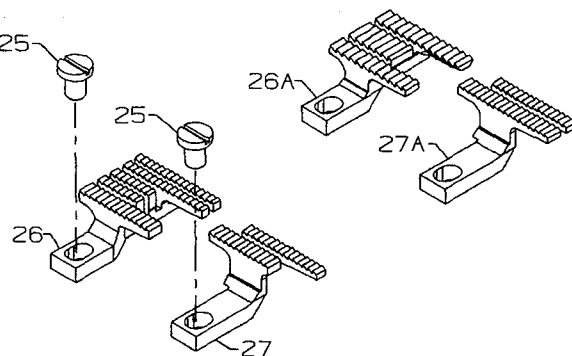
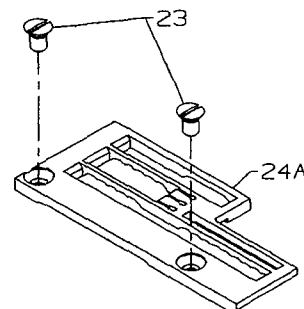
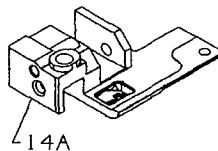
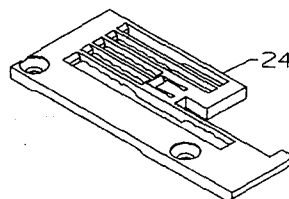
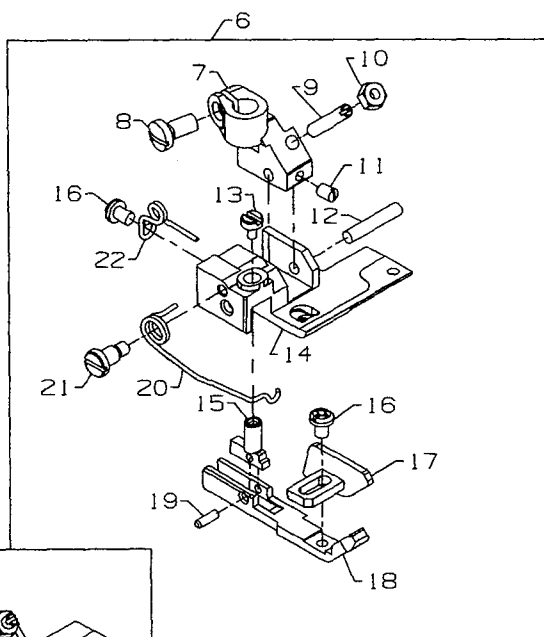
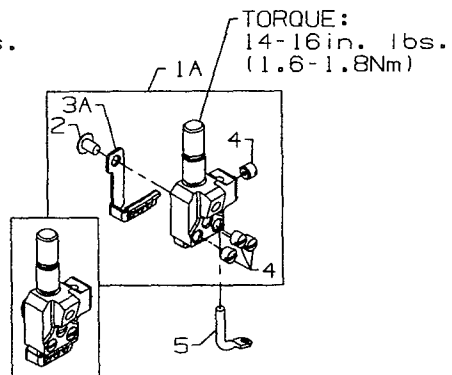
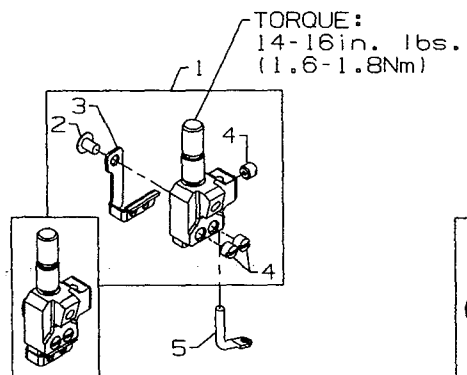
| PART NUMBER |  a = FINISH |  b = STRIPWIDTH |  c = MOUTH OPENING |  d = CAPACITY |
|---------------|---|---|---|---|
| 93006 H-20/7 | 7mm | 20mm | 6mm | 2mm |
| 93006 H-23/8 | 8mm | 23mm | 6mm | 2mm |
| 93006 H-28/10 | 10mm | 28mm | 6mm | 2mm |
| 93006 H-34/12 | 12mm | 34mm | 6mm | 2mm |
| 93006 H-40/15 | 15mm | 40mm | 6mm | 2mm |
| 93006 H-42/15 | 15mm | 42mm | 6mm | 2mm |
| 93006 H-46/18 | 18mm | 46mm | 6mm | 2mm |
| 93006 H-50/20 | 20mm | 50mm | 6mm | 2mm |
| 93006 H-54/22 | 22mm | 54mm | 6mm | 2mm |
| 93006 H-60/25 | 25mm | 60mm | 6mm | 2mm |



SEWING PARTS
FOR C02

| Ref. No. | Part No. | Description | Amt. Req. |
|-------------|-------------|--|--------------|
| 1. | ----- | Needle Head, on two needle machines (see chart) | 1 |
| 1A. | ----- | Needle Head, on three needle machines (see chart) | 1 |
| 2. | SS5060410TP | Screw | 1 |
| 3. | 50318AE40 | Eyelet, for sewing comb., on two needle machines (see chart) | 1 |
| 3A. | 50318AE56 | Eyelet, for sewing comb., on three needle machines (see chart) | 1 |
| 4. | SS8080310SP | Screw | 3/4 |
| 5. | 50392G | Needle Thread Eyelet | 1 |
| 6. | ----- | Presser Foot Assembly, for sewing comb., (see chart) | 1 |
| 7. | 50330FP | Shank | 1 |
| 8. | SM7040800SL | Screw | 1 |
| 9. | 50330FS | Screw | 1 |
| 10. | SM4030455SP | Screw | 1 |
| 11. | 50330FR | Torsion Spring | 1 |
| 12. | 18C1475 | Screw | 1 |
| 13. | NM6030001SD | Nut | 1 |
| 14. | SM8030500SP | Screw | 1 |
| 15. | PH0300164C0 | Pin | 1 |
| 16. | 50330FM40 | Presser Foot Bottom, for 4.0 gauge | 1 |
| 16A. | 50330FM48 | Presser Foot Bottom, for 4.8 gauge | 1 |
| - | 50330FM56 | Presser Foot Bottom, for 5.6, 6.4 gauges | 1 |
| 17. | SM6030350SD | Screw | 1 |
| 18. | 50330FV | Presser Foot Guide | 1 |
| 19. | 50330FL56 | Yielding Section Assembly | 1 |
| 20. | 50330FN | Yielding Section Shank | 1 |
| 21. | 50330FW | Yielding Section | 1 |
| 22. | PH0200063C0 | Pin | 1 |
| 23. | ----- | Throat Plate, for two needle machines (see chart) | 1 |
| 23A. | ----- | Throat Plate, for three needle machines (see chart) | 1 |
| 24. | 99293 | Screw, for throat plate | 2 |
| 25. | ----- | Main Feed Dog, for two needle machines (see chart) | 1 |
| 25A. | ----- | Main Feed Dog, for three needle machines (see chart) | 1 |
| 26. | ----- | Differential Feed Dog, for two needle machines (see chart) | 1 |
| 27. | 99293 | Screw, for Feed Dog | 2 |

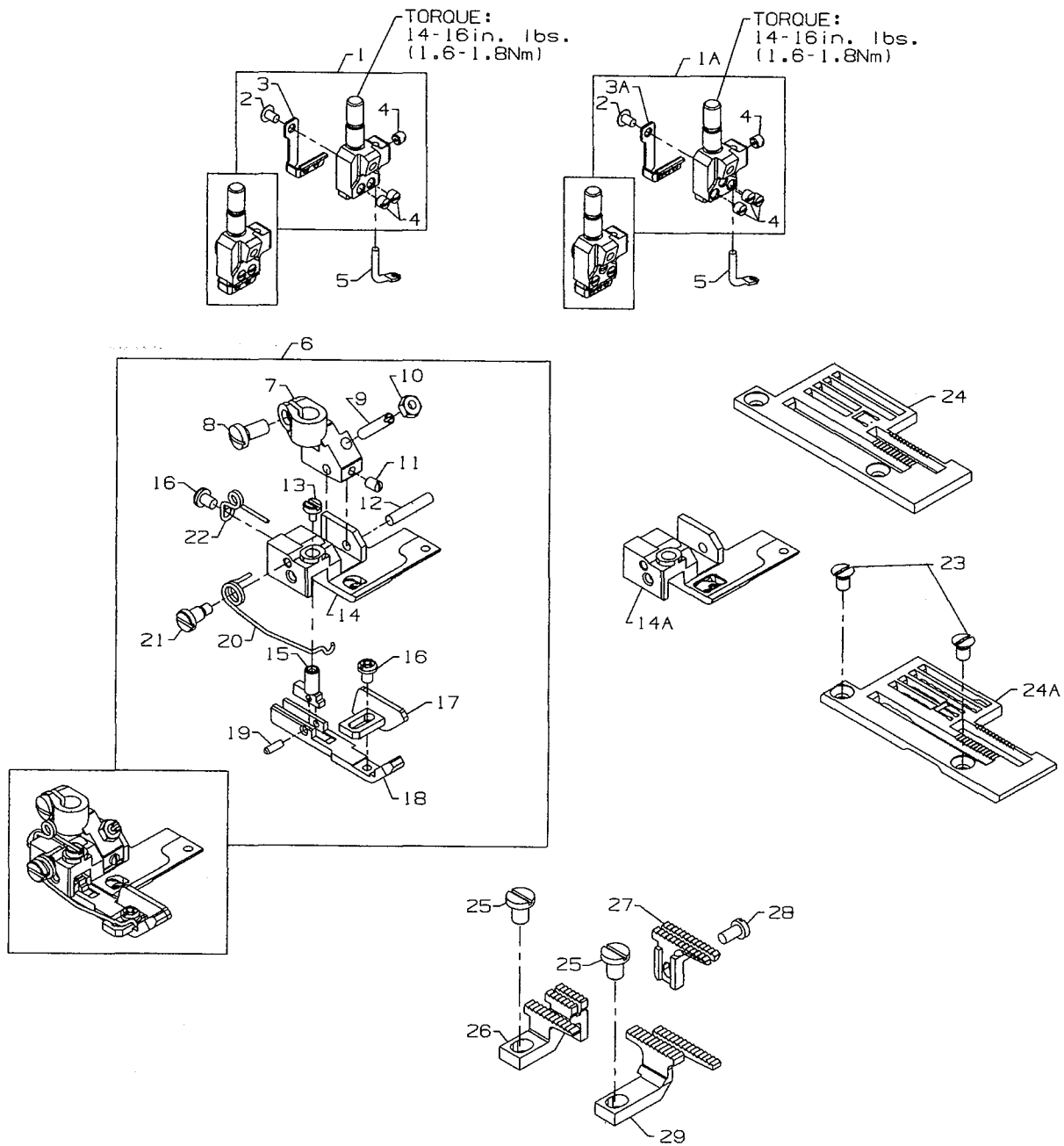
| MODEL | NEEDLE HEAD | PRESSER FOOT ASSEMBLY | THROAT PLATE | FEED DOG MAIN | FEED DOG DIFFERENTIAL |
|-------------------|-------------|-----------------------|--------------|---------------|-----------------------|
| MFC-7602A-C02-B40 | 50318AN40 | 50320CB40 | 50324DJ40 | 50305CA | 50326CB |
| MFC-7602A-C02-B48 | 50318AN48 | 50320CB48 | 50324DJ48 | | |
| MFC-7605A-C02-B56 | 50318AN56 | 50320CB56 | 50324DJ56 | 50305CH | |
| MFC-7605A-C02-B64 | 50318AN64 | | 50324DJ64 | | |



SEWING PARTS
FOR E11

| Ref. No. | Part No. | Description | Amt. Req. |
|-------------|-------------|--|--------------|
| 1. | ----- | Needle Head, on two needle machines (see chart) | 1 |
| 1A. | ----- | Needle Head, on three needle machines (see chart) | 1 |
| 2. | SS5060410TP | Screw | 1 |
| 3. | 50318AE40 | Eyelet, on two needle machines (see chart) | 1 |
| 3A. | 50318AE56 | Eyelet, on three needle machines (see chart) | 1 |
| 4. | SS8080310SP | Screw | 3/4 |
| 5. | 50392G | Needle Thread Eyelet | 1 |
| 6. | ----- | Presser Foot Assembly, on two needle machines (see chart) | 1 |
| 6A. | ----- | Presser Foot Assembly, on three needle machines (see chart) | 1 |
| 7. | 50330FP | Shank | 1 |
| 8. | SM7040800SL | Screw | 1 |
| 9. | 18C1475 | Screw | 1 |
| 10. | NM6030001SD | Nut | 1 |
| 11. | SM8030500SP | Screw | 1 |
| 12. | PH0300164C0 | Pin | 1 |
| 13. | 50330FS | Screw | 1 |
| 14. | 50330FM40 | Presser Foot Bottom, for 4.0 gauge | 1 |
| 14A. | 50330FM48 | Presser Foot Bottom, for 4.8 gauge | 1 |
| - | 50330FM56 | Presser Foot Bottom, for 5.6, 6.4 gauges | 1 |
| 15. | 50330FN | Yielding Section Shank | 1 |
| 16. | SM4030455SP | Screw | 2 |
| 17. | 50330GN | Elastic Guide | 1 |
| 18. | 50330GR | Yielding Section | 1 |
| 19. | PH0200063C0 | Pin | 1 |
| 20. | 50330GH | Spring | 1 |
| 21. | 18C1479 | Shoulder Screw | 1 |
| 22. | 50330FR | Torsion Spring | 1 |
| 23. | 87 | Screw, for throat plate | 2 |
| 24. | ----- | Throat Plate, for two needle machines (see chart) | 1 |
| 24A. | ----- | Throat Plate, for three needle machines (see chart) | 1 |
| 25. | 99293 | Screw, for feed dog | 2 |
| 26. | ----- | Main Feed Dog, for two needle machines (see chart) | 1 |
| 26A. | ----- | Main Feed Dog, for three needle machines (see chart) | 1 |
| 27. | ----- | Differential Feed Dog, for two needle machines (see chart) | 1 |
| 27A. | ----- | Differential Feed Dog, for three needle machines (see chart) | 1 |

| MODEL | NEEDLE HEAD | PRESSER FOOT ASSEMBLY | THROAT PLATE | FEED DOG MAIN | FEED DOG DIFFERENTIAL |
|-------------------|-------------|-----------------------|--------------|---------------|-----------------------|
| MFC-7406A-E11-D40 | 50318AN40 | 50320TB40 | 34724TB40 | 34705BW | 34726TB10 |
| MFC-7406A-E11-D48 | 50318AN48 | 50320TB48 | 34724TB48 | | |
| MFC-7407A-E11-D56 | 50318AN56 | 50320TB64 | 34724TB56 | 34705TB | 34726TB16 |
| MFC-7407A-E11-D64 | 50318AN64 | | 34724TB64 | | |
| MFC-7602A-E11-D40 | 50318AN40 | 50320TB40 | 34724TB40 | 34705BW | 34726TB10 |
| MFC-7602A-E11-D48 | 50318AN48 | 50320TB48 | 34724TB48 | | |
| MFC-7605A-E11-D56 | 50318AN56 | 50320TB64 | 34724TB56 | 34705TB | 34726TB16 |
| MFC-7605A-E11-D64 | 50318AN64 | | 34724TB64 | | |



| MODEL | NEEDLE HEAD | PRESSER FOOT ASSEMBLY | THROAT PLATE | FEED DOG MAIN | FEED DOG MAIN, RIGHT | FEED DOG DIFFERENTIAL |
|-----------------------|-------------|-----------------------|--------------|---------------|----------------------|-----------------------|
| MFC-7406A-E61-D40/PL1 | 50318AN40 | 50320TB40 | 34724TD10 | 34805TD8 | 34805TH | 34826TD10 |
| MFC-7406A-E61-D48/PL1 | 50318AN48 | 50320TB48 | 34724TD48 | | | 34826TD10 |
| MFC-7407A-E61-D56/PL1 | 50318AN56 | 50320TB56 | 34724TD56 | 34805TD16 | | 34826TD16 |
| MFC-7407A-E61-D64/PL1 | 50318AN64 | | 34724TD64 | 34805TD8 | | 34826TD10 |
| MFC-7602A-E61-D40/PL1 | 50318AN40 | 50320TB40 | 34724TD10 | 34805TD16 | | 34826TD10 |
| MFC-7602A-E61-D48/PL1 | 50318AN48 | 50320TB48 | 34724TD48 | | | 34826TD16 |
| MFC-7605A-E61-D56/PL1 | 50318AN56 | 50320TB56 | 34724TD56 | 34805TD16 | | 34826TD10 |
| MFC-7605A-E61-D64/PL1 | 50318AN64 | | 34724TD64 | | | |

SEWING PARTS
FOR E61

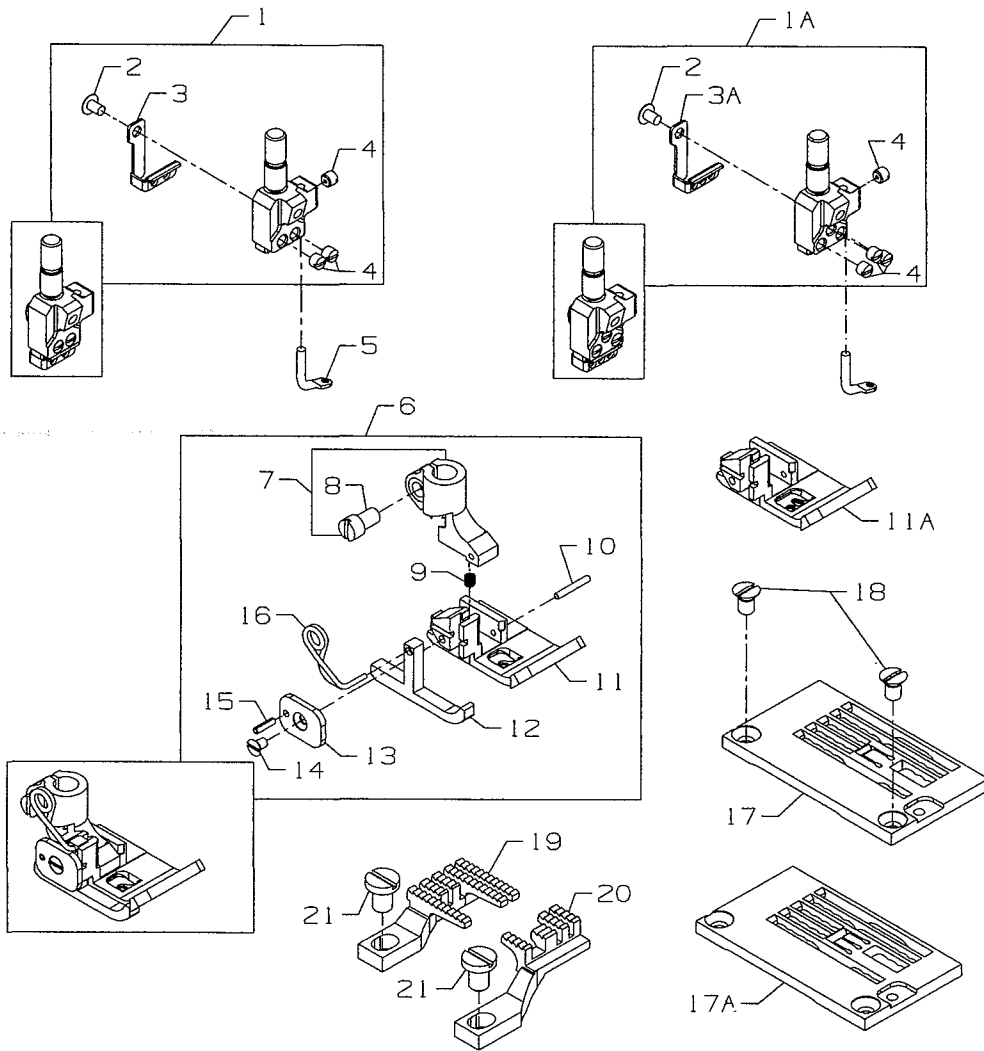
| Ref. No. | Part No. | Description | Amt. Req. |
|----------|-------------|--|-----------|
| 1. | ----- | Needle Head, on two needle machines (see chart) | 1 |
| 1A. | ----- | Needle Head, on three needle machines (see chart) | 1 |
| 2. | SS5060410TP | Screw | 1 |
| 3. | 50318AE40 | Eyelet, on two needle machines (see chart) | 1 |
| 3A. | 50318AE56 | Eyelet, on three needle machines (see chart) | 1 |
| 4. | SS8080310SP | Screw | 3/4 |
| 5. | 50392G | Needle Thread Eyelet | 1 |
| 6. | ----- | Presser Foot Assembly, on two needle machines (see chart) | 1 |
| 6A. | ----- | Presser Foot Assembly, on three needle machines (see chart) | 1 |
| 7. | 50330FP | Shank | 1 |
| 8. | SM7040800SL | Screw | 1 |
| 9. | 18C1475 | Screw | 1 |
| 10. | NM6030001SD | Nut | 1 |
| 11. | SM8030500SP | Screw | 1 |
| 12. | PH0300164C0 | Pin | 1 |
| 13. | 50330FS | Screw | 1 |
| 14. | 50330FM40 | Presser Foot Bottom, for 4.0 gauge | 1 |
| 14A. | 50330FM48 | Presser Foot Bottom, for 4.8 gauge | 1 |
| - | 50330FM56 | Presser Foot Bottom, for 5.6, 6.4 gauges | 1 |
| 15. | 50330FN | Yielding Section Shank | 1 |
| 16. | SM4030455SP | Screw | 2 |
| 17. | 50330GN | Elastic Guide | 1 |
| 18. | 50330GR | Yielding Section | 1 |
| 19. | PH0200063C0 | Pin | 1 |
| 20. | 50330GH | Spring | 1 |
| 21. | 18C1479 | Shoulder Screw | 1 |
| 22. | 50330FR | Torsion Spring | 1 |
| 23. | 87 | Screw, for throat plate | 2 |
| 24. | ----- | Throat Plate, for two needle machines (see chart) | 1 |
| 24A. | ----- | Throat Plate, for three needle machines (see chart) | 1 |
| 25. | 99293 | Screw, for feed dog | 2 |
| 26. | ----- | Main Feed Dog, for two needle machines (see chart) | 1 |
| - | ----- | Main Feed Dog, for three needle machines (see chart) | 1 |
| 27. | ----- | Main Feed Dog, right (see chart) | 1 |
| 28. | 77L | Screw, for main feed dog right | 1 |
| 29. | ----- | Differential Feed Dog, for two needle machines (see chart) | 1 |
| - | ----- | Differential Feed Dog, for three needle machines (see chart) | 1 |

| MODEL | NEEDLE HEAD | PRESSER FOOT ASSEMBLY | THROAT PLATE | FEED DOG MAIN | FEED DOG MAIN, RIGHT | FEED DOG DIFFERENTIAL |
|------------------------|-------------|-----------------------|--------------|---------------|----------------------|-----------------------|
| MFC-7406A-E61-D40/PL1S | 50318AN40 | 50320TB40 | 34724TD10 | 34805TD8 | 34805TH | 34826TD10 |
| MFC-7406A-E61-D48/PL1S | 50318AN48 | 50320TB48 | 34724TD48 | | | |
| MFC-7407A-E61-D56/PL1S | 50318AN56 | 50320TB56 | 34724TD56 | 34805TD16 | | 34826TD16 |
| MFC-7407A-E61-D64/PL1S | 50318AN64 | | 34724TD64 | | | |
| MFC-7602A-E61-D40/PL1S | 50318AN40 | 50320TB40 | 34724TD10 | 34805TD8 | | 34826TD10 |
| MFC-7602A-E61-D48/PL1S | 50318AN48 | 50320TB48 | 34724TD48 | | | |
| MFC-7605A-E61-D56/PL1S | 50318AN56 | 50320TB56 | 34724TD56 | 34805TD16 | | 34826TD16 |
| MFC-7605A-E61-D64/PL1S | 50318AN64 | | 34724TD64 | | | |

SEWING PARTS
FOR H01

| Ref. No. | Part No. | Description | Amt. Req. |
|----------|-------------|--|-----------|
| 1. | ----- | Needle Head, on two needle machines, (see chart) | 1 |
| 1A. | ----- | Needle Head, on three needle machines, (see chart) | 1 |
| 2. | SS5060410SP | Set Screw | 3/4 |
| 3. | 50318AE40 | Eyelet, on two needle machines, (see chart) | 1 |
| 3A. | 50318AE56 | Eyelet, on three needle machines, (see chart) | 1 |
| 4. | SS6060440TP | Screw | 1 |
| 5. | 50392G | Needle Thread Eyelet | 1 |
| 6. | ----- | Presser Foot Assembly, for sewing comb., (see chart) | 1 |
| 7. | G65-134 | Presser Foot Shank | 1 |
| 8. | 91 | Screw | 1 |
| 9. | G50-266 | Bushing | 2 |
| 10. | 22716A | Screw | 1 |
| 11. | 50397A48 | Stitch Tongue, for 4.8 gauge | 1 |
| 11A. | 50397C | Stitch Tongue, for 4.0 gauge | 1 |
| - | 50397A16 | Stitch Tongue, for 5.6, 6.4 gauges | 1 |
| 12. | 50330BL16 | Presser Foot Bottom | 1 |
| 13. | 57830A | Yielding Section | 2 |
| 14. | 6-25-55 | Drill Rod | 3 |
| 15. | 605 | Screw | 1 |
| 16. | 79633 | Spring | 1 |
| 17. | HT2C | Screw | 1 |
| 18. | 34703W2.3 | Throat Plate Edge Guide | 1 |
| - | 34703W4.3 | Throat Plate Edge Guide | 1 |
| 19. | ----- | Throat Plate, for two needle machines (see chart) | 1 |
| 19A. | ----- | Throat Plate, for three needle machines (see chart) | 1 |
| 20. | 87 | Screw, for throat plate | 2 |
| 21. | 99293 | Screw, for feed dogs | 1 |
| 22. | ----- | Differential Feed Dog (see chart) | 2 |
| 23. | ----- | Main Feed Dog (see chart) | 1 |

| MODEL | NEEDLE HEAD | PRESSER FOOT ASSEMBLY | THROAT PLATE | FEED DOG MAIN | FEED DOG DIFFERENTIAL |
|-------------------|-------------|-----------------------|--------------|---------------|-----------------------|
| MFC-7406A-H01-A40 | 50318AN40 | 50320AH | 50324BL40 | 34705F | 34726F |
| MFC-7406A-H01-C40 | | | 34724F10 | | |
| MFC-7406A-H01-A48 | 50318AN48 | 50320T48 | 50328BL48 | | |
| MFC-7406A-H01-C48 | | | 50324F48 | | |
| MFC-7407A-H01-A56 | 50318AN56 | 50320T60 | 50324BL56 | | |
| MFC-7407A-H01-B56 | | | 50324BS56 | | |
| MFC-7407A-H01-C56 | | | 34724F56 | | |
| MFC-7407A-H01-A64 | 50318AN64 | 50320T60 | 50324BL64 | | |
| MFC-7407A-H01-B64 | | | 50324BS64 | | |
| MFC-7407A-H01-C64 | | | 34724F64 | | |
| MFC-7602A-H01-A40 | | | 50318AN40 | | |
| MFC-7602A-H01-C40 | 34724F10 | | | | |
| MFC-7602A-H01-A48 | 50318AN48 | 50320T48 | 50328BL48 | | |
| MFC-7602A-H01-C48 | | | 50324F48 | | |
| MFC-7605A-H01-A56 | 50318AN56 | 50320T60 | 50324BL56 | | |
| MFC-7605A-H01-B56 | | | 50324BS56 | | |
| MFC-7605A-H01-C56 | | | 34724F56 | | |
| MFC-7605A-H01-A64 | 50318AN64 | 50320T60 | 50324BL64 | | |
| MFC-7605A-H01-B64 | | | 50324BS64 | | |
| MFC-7605A-H01-C64 | | | 34724F64 | | |

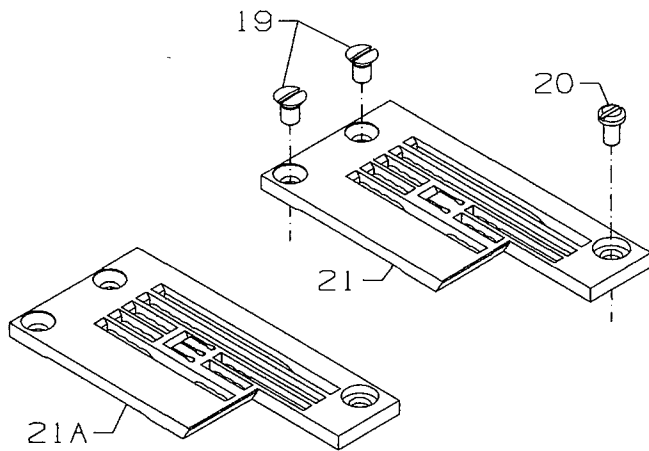
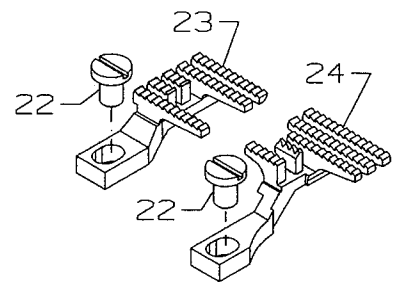
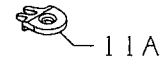
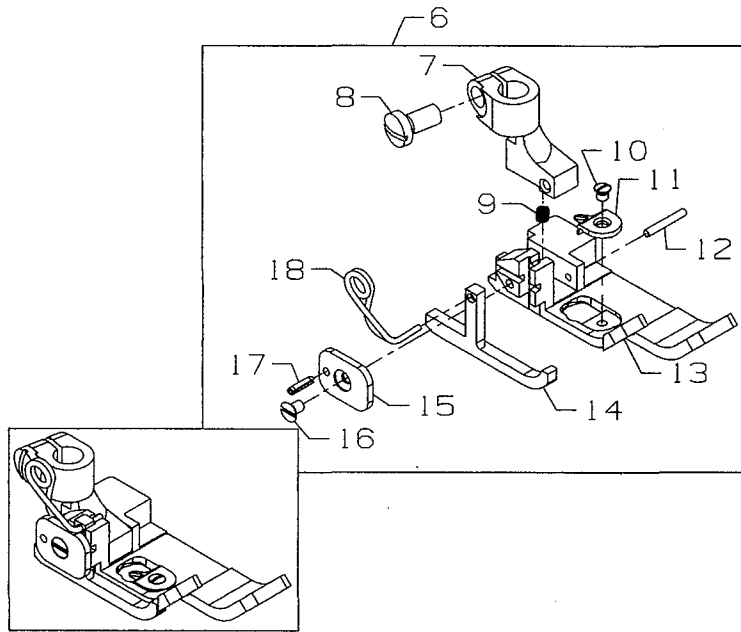
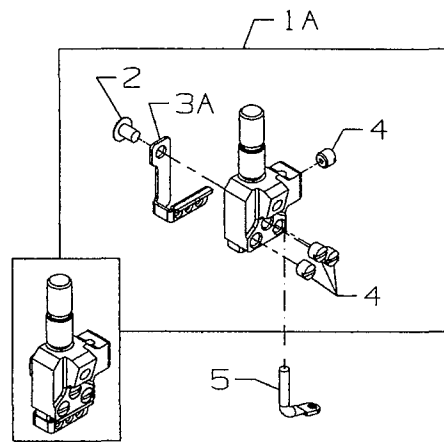
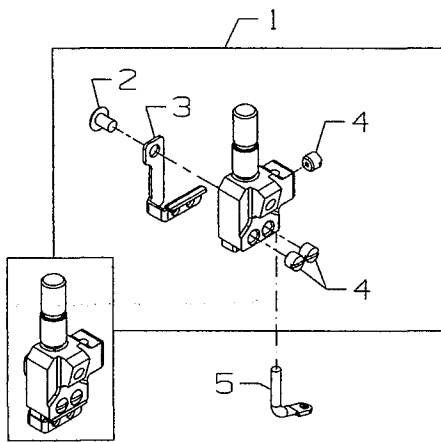


| MODEL | NEEDLE HEAD | PRESSER FOOT ASSEMBLY | THROAT PLATE | FEED DOG MAIN | FEED DOG DIFFERENTIAL |
|-----------------------|-------------|-----------------------|--------------|---------------|-----------------------|
| MFC-7406A-H11-A40/PL1 | 50318AN40 | 50320BE40 | 50324CJ40 | 34705DG | 34726DG |
| MFC-7406A-H11-C40/PL1 | | | 34724E10 | | |
| MFC-7406A-H11-A48/PL1 | 50324CJ48 | | | | |
| MFC-7406A-H11-C48/PL1 | 34724E48 | | | | |
| MFC-7407A-H11-A56/PL1 | 50318AN56 | 50320BF64 | 50324CK56 | | |
| MFC-7407A-H11-B56/PL1 | | | 50324CL56 | | |
| MFC-7407A-H11-C56/PL1 | 34724E56 | | | | |
| MFC-7407A-H11-A64/PL1 | 50318AN64 | | 50324CK64 | | |
| MFC-7407A-H11-B64/PL1 | | 50324CL64 | | | |
| MFC-7407A-H11-C64/PL1 | | 34724E64 | | | |
| MFC-7602A-H11-A40/PL1 | 50318AN40 | 50320BE40 | 50324CJ40 | | |
| MFC-7602A-H11-C40/PL1 | | | 34724E10 | | |
| MFC-7602A-H11-A48/PL1 | 50324CJ48 | | | | |
| MFC-7602A-H11-C48/PL1 | 34724E48 | | | | |
| MFC-7605A-H11-A56/PL1 | 50318AN56 | 50320BF64 | 50324CK56 | | |
| MFC-7605A-H11-B56/PL1 | | | 50324CL56 | | |
| MFC-7605A-H11-C56/PL1 | 34724E56 | | | | |
| MFC-7605A-H11-A64/PL1 | 50318AN64 | | 50324CK64 | | |
| MFC-7605A-H11-B64/PL1 | | 50324CL56 | | | |
| MFC-7605A-H11-C64/PL1 | | 34724E64 | | | |

SEWING PARTS
FOR H11/PL1, H11/PL1S

| Ref. No. | Part No. | Description | Amt. Req. |
|-------------|-------------|--|--------------|
| 1. | ----- | Needle Head, for two needle machines (see chart) | 1 |
| 1A. | ----- | Needle Head, for three needle machines (see chart) | 1 |
| 2. | SS8080310TP | Screw | 1 |
| 3. | 50318AE40 | Needle Eyelet, for 4.0, 4.8 gauges | 1 |
| 3A. | 50318AE56 | Needle Eyelet, for 5.6, 6.4 gauges | 1 |
| 4. | SS5060410SP | Screw | 3 / 4 |
| 5. | 50392G | Needle Thread Eyelet | 1 |
| 6. | ----- | Presser Foot Assembly, for 4.0, 4.8 gauges (see chart) | 1 |
| - | ----- | Presser Foot Assembly, for 5.6, 6.4 gauges (see chart) | 1 |
| 7. | G57730GB | Shank | 1 |
| 8. | 91 | Screw | 1 |
| 9. | 39568J | Pressure Spring | 1 |
| 10. | 61330B41 | Pin | 1 |
| 11. | 50330BH40 | Presser Foot Bottom, for 4.0, 4.8 gauges | 1 |
| 11A. | 50330BH64 | Presser Foot Bottom, for 5.6, 6.4 gauges | 1 |
| 12. | 34730A | Yielding Section | 1 |
| 13. | G57730GC | Plate | 1 |
| 14. | 22716 | Screw | 1 |
| 15. | 96651 | Roll Pin | 1 |
| 16. | G57730GD | Torsion Spring | 1 |
| 17. | ----- | Throat Plate, for two needle machines (see chart) | 1 |
| 17A. | ----- | Throat Plate, for three needle machines (see chart) | 1 |
| 18. | 87 | Screw, for throat plate | 2 |
| 19. | ----- | Main Feed Dog (see chart) | 1 |
| 20. | ----- | Differential Feed Dog (see chart) | 1 |
| 21. | 99293 | Screw, for feed dogs | 2 |

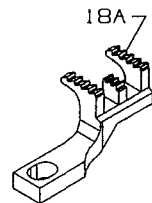
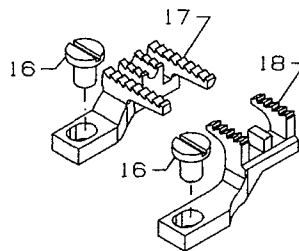
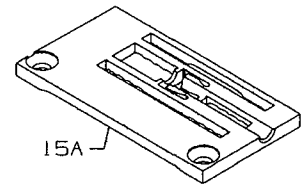
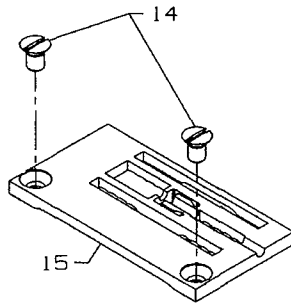
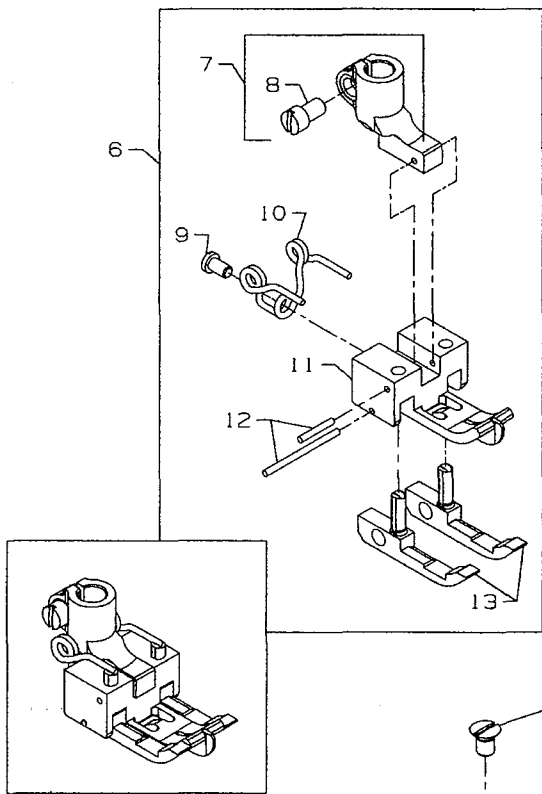
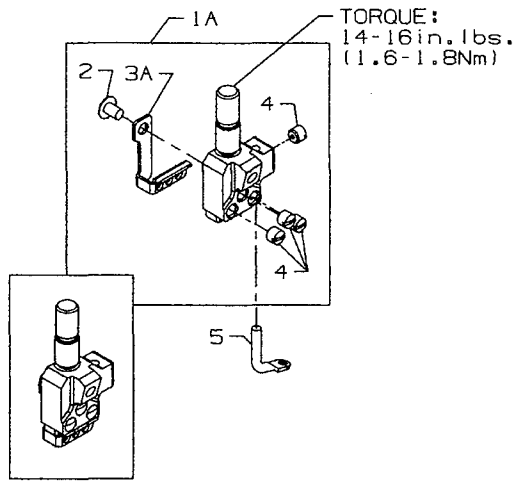
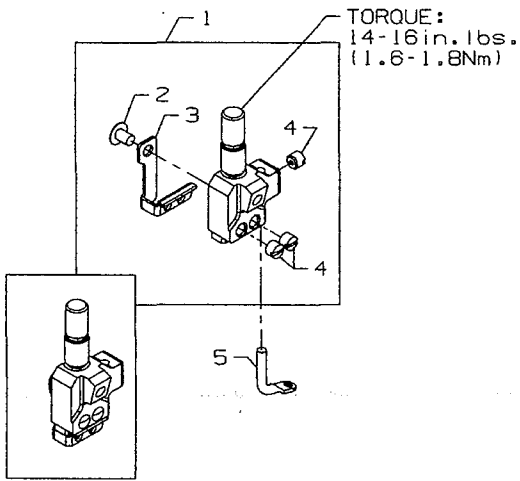
| MODEL | NEEDLE HEAD | PRESSER FOOT ASSEMBLY | THROAT PLATE | FEED DOG MAIN | FEED DOG DIFFERENTIAL |
|------------------------|-------------|-----------------------|--------------|---------------|-----------------------|
| MFC-7406A-H11-A40/PL1S | 50318AN40 | 50320BE40 | 50324CJ40 | 34705DG | 34726DG |
| MFC-7406A-H11-C40/PL1S | | | 34724E10 | | |
| MFC-7406A-H11-A48/PL1S | 50318AN48 | 50320BE40 | 50324CJ48 | | |
| MFC-7406A-H11-C48/PL1S | | | 34724E48 | | |
| MFC-7407A-H11-A56/PL1S | 50318AN56 | 50320BF64 | 50324CK56 | | |
| MFC-7407A-H11-B56/PL1S | | | 50324CL56 | | |
| MFC-7407A-H11-C56/PL1S | 50318AN64 | 50320BF64 | 34724E56 | | |
| MFC-7407A-H11-A64/PL1S | | | 50324CK64 | | |
| MFC-7407A-H11-B64/PL1S | | | 50324CL64 | | |
| MFC-7407A-H11-C64/PL1S | | | 34724E64 | | |
| MFC-7602A-H11-A40/PL1S | 50318AN40 | 50320BE40 | 50324CJ40 | | |
| MFC-7602A-H11-C40/PL1S | | | 34724E10 | | |
| MFC-7602A-H11-A48/PL1S | 50318AN48 | 50320BE40 | 50324CJ48 | | |
| MFC-7602A-H11-C48/PL1S | | | 34724E48 | | |
| MFC-7605A-H11-A56/PL1S | 50318AN56 | 50320BF64 | 50324CK56 | | |
| MFC-7605A-H11-B56/PL1S | | | 50324CL56 | | |
| MFC-7605A-H11-C56/PL1S | 50318AN64 | 50320BF64 | 34724E56 | | |
| MFC-7605A-H11-A64/PL1S | | | 50324CK64 | | |
| MFC-7605A-H11-B64/PL1S | | | 50324CL56 | | |
| MFC-7605A-H11-C64/PL1S | | | 34724E64 | | |



SEWING PARTS
FOR H21

| Ref. No. | Part No. | Description | Amt. Req. |
|----------|-------------|---|-----------|
| 1. | ----- | Needle Head, on two needle machines (see chart) | 1 |
| 1A. | ----- | Needle Head, on three needle machines (see chart) | 1 |
| 2. | SS6066440TP | Screw | 1 |
| 3. | 50318AE40 | Eyelet, for 4.0, 4.8 gauges..... | 1 |
| 3A. | 50318AE56 | Eyelet, for 5.6, 6.4 gauges | 1 |
| 4. | SS8080310TP | Screw | 3/4 |
| 5. | 50392G | Needle Thread Eyelet | 1 |
| 6. | ----- | Presser Foot Assembly, (see chart) | 1 |
| 7. | 50330FX | Presser Foot Shank | 1 |
| 8. | SM7040800SL | Screw | 1 |
| 9. | 39568J | Spring | 1 |
| 10. | 22716A | Screw | 1 |
| 11. | 50397C | Stitch Tongue, for 4.0, 4.8 gauges | 1 |
| 11A. | G52897A16 | Stitch Tongue, for 5.6, 6.4 gauges | 1 |
| 12. | 61330B42 | Drill Rod | 1 |
| 13. | 50330DU64 | Presser Foot Bottom | 1 |
| 14. | 34730AT | Yielding Section | 1 |
| 15. | G57730GC | Plate | 1 |
| 16. | 22716 | Screw | 1 |
| 17. | 96651 | Roll Pin | 1 |
| 18. | G57730GD | Spring | 1 |
| 19. | 87 | Screw, for throat plate | 3 |
| 20. | 22768 | Screw, for throat plate | 1 |
| 21. | ----- | Throat Plate, for two needle machines (see chart) | 1 |
| 21A. | ----- | Throat Plate, for three needle machines (see chart) | 1 |
| 22. | 99293 | Screw, for feed dogs | 2 |
| 23. | ----- | Differential Feed Dog (see chart) | 1 |
| 24. | ----- | Main Feed Dog (see chart) | 1 |

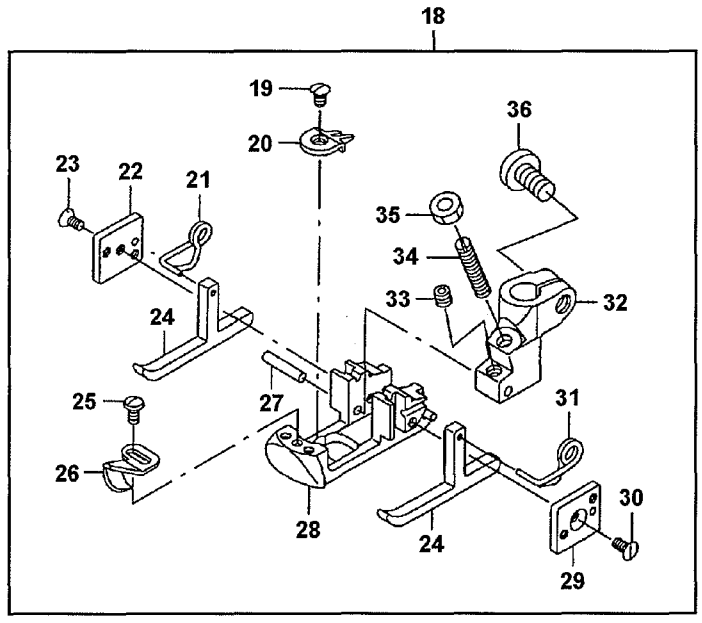
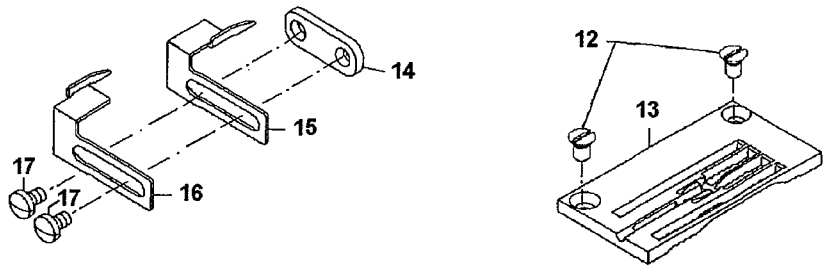
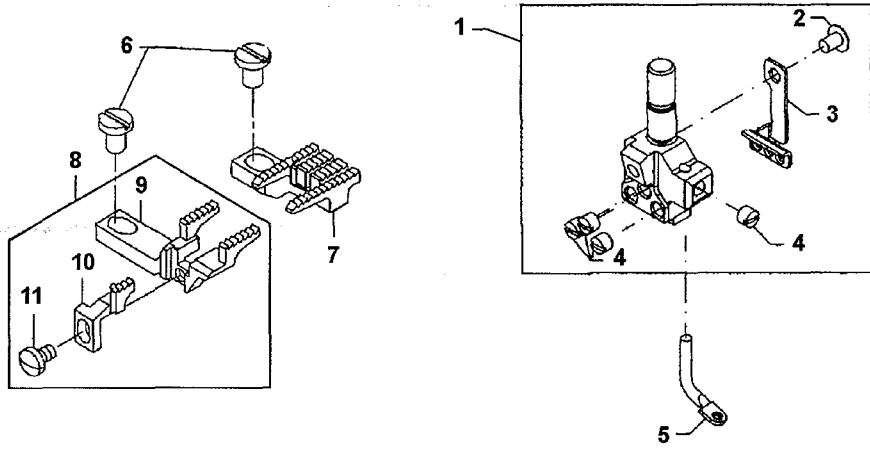
| MODEL | NEEDLE HEAD | PRESSER FOOT ASSEMBLY | THROAT PLATE | FEED DOG MAIN | FEED DOG DIFFERENTIAL | |
|-------------------|-------------|-----------------------|--------------|---------------|-----------------------|-----------|
| MFC-7406A-H21-A40 | 50318AN40 | 50320CA40 | 50324FR40 | 50305FT | 50326FT | |
| MFC-7406A-H21-C40 | | | 50324FT40 | | | |
| MFC-7406A-H21-A48 | 50318AN48 | | 50324FR48 | | | |
| MFC-7406A-H21-C48 | | | 50324FT48 | | | |
| MFC-7407A-H21-A56 | 50318AN56 | 50320CA56 | 50324FR56 | | | |
| MFC-7407A-H21-B56 | | | 50324FS56 | | | |
| MFC-7407A-H21-C56 | | | 50324FT56 | | | |
| MFC-7407A-H21-A64 | 50318AN64 | | 50324FR64 | | | |
| MFC-7407A-H21-B64 | | | 50324FS64 | | | |
| MFC-7407A-H21-C64 | | | 50324FT64 | | | |
| MFC-7602A-H21-A40 | | | 50318AN40 | | | 50320CA40 |
| MFC-7602A-H21-C40 | 50324FT40 | | | | | |
| MFC-7602A-H21-A48 | 50318AN48 | 50324FR48 | | | | |
| MFC-7602A-H21-C48 | | 50324FT48 | | | | |
| MFC-7605A-H21-A56 | 50318AN56 | 50320CA56 | 50324FR56 | | | |
| MFC-7605A-H21-B56 | | | 50324FS56 | | | |
| MFC-7605A-H21-C56 | | | 50324FT56 | | | |
| MFC-7605A-H21-A64 | 50318AN64 | | 50324FR64 | | | |
| MFC-7605A-H21-B64 | | | 50324FS64 | | | |
| MFC-7605A-H21-C64 | | | 50324FT64 | | | |



SEWING PARTS
FOR K01, K02

| Ref. No. | Part No. | Description | Amt. Req. |
|-------------|-------------|---|--------------|
| 1. | ----- | Needle Head, for two needle machines (see chart) | 1 |
| 1A. | ----- | Needle Head, for three needle machines (see chart) | 1 |
| 2. | SS6066440TP | Screw | 1 |
| 3. | 50318AE40 | Eyelet, for 4.8 gauge | 1 |
| 3A. | 50318AE56 | Eyelet, for 5.6, 6.4 gauges | 1 |
| 4. | SS8080310TP | Set Screw | 4-6 |
| 5. | 50392G | Needle Thread Eyelet | 1 |
| 6. | ----- | Presser Foot, for sewing comb., (see chart) | 1 |
| 7. | 31130A | Presser Foot Shank | 1 |
| 8. | 91 | Screw | 1 |
| 9. | 605C | Screw | 1 |
| 10. | G11940 | Spring | 1 |
| 11. | G65-90 | Presser Foot Guide for 4.8 gauge | 1 |
| 12. | 6-25-55 | Drill Rod | 2 |
| 13. | 31130RA | Yielding Section | 2 |
| 14. | 87 | Screw, for throat plate | 2 |
| 15. | ----- | Throat Plate, for two needle machines (see chart) | 1 |
| 15A. | ----- | Throat Plate, for three needle machines (see chart) | 1 |
| 16. | 99293 | Screw, for feed dogs | 1 |
| 17. | ----- | Main Feed Dog (see chart) | 1 |
| 18. | ----- | Differential Feed Dog, for K01 (see chart) | 1 |
| 18A. | ----- | Differential Feed Dog, for K02 (see chart) | 1 |

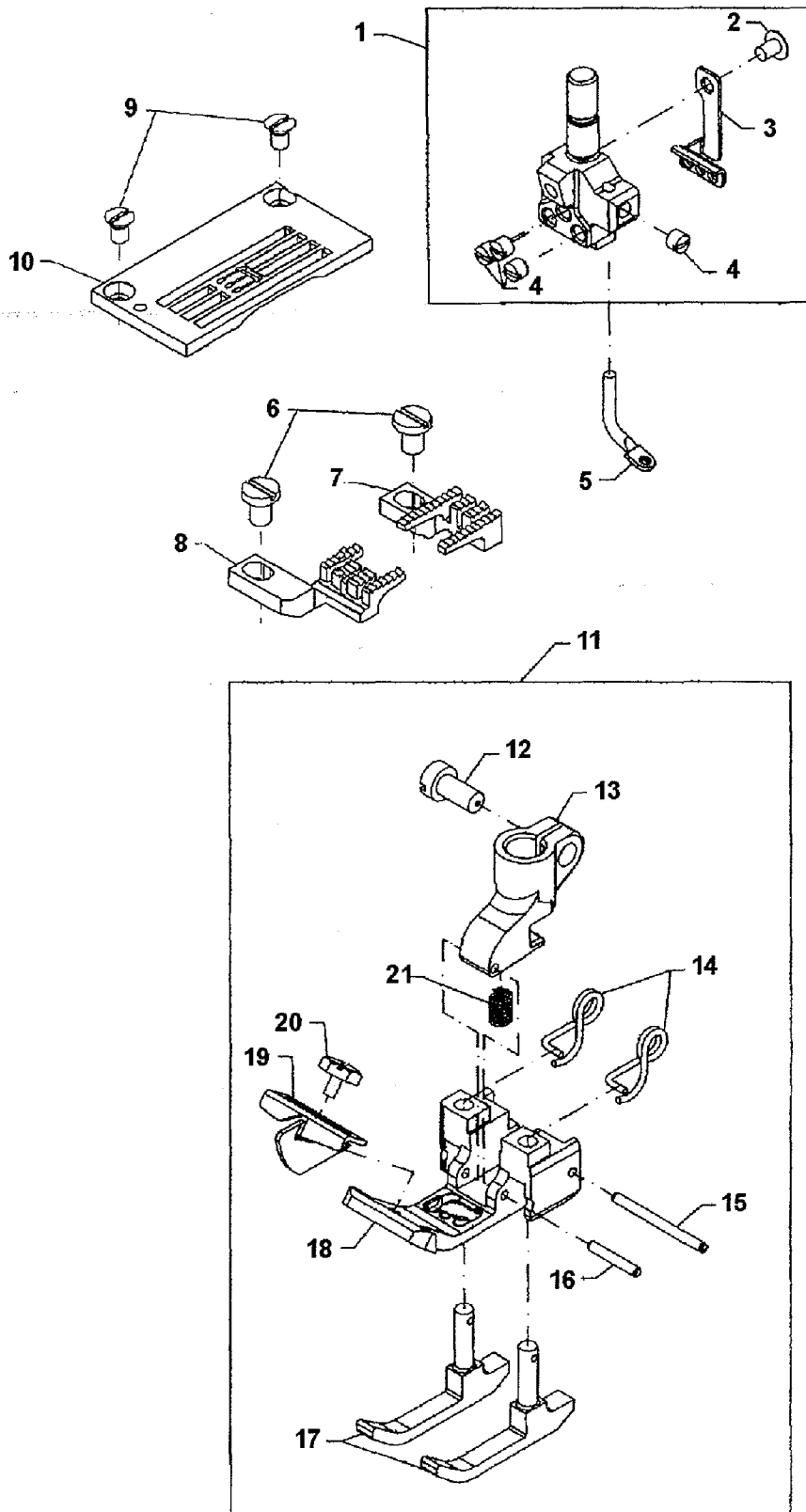
| MODEL | NEEDLE HEAD | PRESSER FOOT ASSEMBLY | THROAT PLATE | FEED DOG MAIN | FEED DOG DIFFERENTIAL |
|-------------------|-------------|-----------------------|--------------|---------------|-----------------------|
| MFC-7406A-K01-D48 | 50318AN48 | 34727CA48 | 34724CA48 | 34705CA | 34726CA16 |
| MFC-7406A-K01-D56 | 50318AN56 | 34727CA60 | 34724CA56 | | |
| MFC-7406A-K01-D64 | 50318AN64 | | 34724CA64 | | |
| MFC-7406A-K02-D56 | 50318AN56 | | 34724CB56 | | 34726A |
| MFC-7406A-K02-D64 | 50318AN64 | 34724CB64 | 34726CA16 | | |
| MFC-7602A-K01-D48 | 50318AN48 | 34727CA48 | | | 34724CA48 |
| MFC-7602A-K01-D56 | 58318AN56 | 34727CA60 | | | 34724CA56 |
| MFC-7602A-K01-D64 | 50318AN64 | | | | 34724CA64 |
| MFC-7602A-K02-D56 | 50318AN56 | | | | 34724CB56 |
| MFC-7602A-K02-D64 | 50318AN64 | | 34724CB64 | | |



SEWING PARTS
FOR U03

| Ref. No. | Part No. | Description | Amt. Req. |
|-------------|-------------|--|--------------|
| 1. | ----- | Needle Head, for three needle machines (see chart) | 1 |
| 2. | SS6066440TP | Screw | 1 |
| 3. | 50318AE56 | Eyelet, for 5.6, 6.4 gauges | 1 |
| 4. | SS8080310TP | Set Screw | 4 |
| 5. | 50392G | Needle Thread Eyelet | 1 |
| 6. | 99293 | Screw, for feed dogs | 2 |
| 7. | ----- | Main Feed Dog, (see chart) | 1 |
| 8. | ----- | Differential Feed Dog, (see chart) | 1 |
| 9. | 50326BH | Feed Dog | 1 |
| 10. | 50326BJ | Feed Dog, Assist | 1 |
| 11. | SS7080520SP | Screw | 1 |
| 12. | 87 | Screw, for throat plate | 2 |
| 13. | ----- | Throat Plate, (see chart) | 1 |
| 14. | 50337AV | Spacer | 1 |
| 15. | 50337AR | Guide, Left | 1 |
| 16. | 50337AS | Guide, Right | 1 |
| 17. | 22548 | Screw | 2 |
| 18. | ----- | Presser Foot, for sewing comb., (see chart) | 1 |
| 19. | 22716A | Screw | 1 |
| 20. | 50397B16 | Stitch Tongue | 1 |
| 21. | 50330EM | Spring, Left | 1 |
| 22. | 50330EN | Presser Foot Guide Plate | 1 |
| 23. | SM1020450TP | Screw | 1 |
| 24. | 50330EK | Yielding Section | 2 |
| 25. | 18C1476 | Screw | 1 |
| 26. | 50330EJ | Cloth Guide | 1 |
| 27. | PH0200102C0 | Parallel Pin | 1 |
| 28. | 50330ET | Presser Foot | 1 |
| 29. | 50330EN | Presser Foot Guide Plate | 1 |
| 30. | SM1020450TP | Screw | 1 |
| 31. | 50330EL | Spring, Right | 1 |
| 32. | 50330EP | Presser Foot Hinge | 1 |
| 33. | SM8030382TP | Screw | 1 |
| 34. | 1801476 | Screw | 1 |
| 35. | NM6030250SC | Nut | 1 |
| 36. | SM7040800SL | Screw | 1 |

| MODEL | NEEDLE HEAD | PRESSER FOOT ASSEMBLY | THROAT PLATE | FEED DOG MAIN | FEED DOG DIFFERENTIAL |
|------------------|-------------|-----------------------|--------------|---------------|-----------------------|
| MFC7407A-U03-B56 | 50318AN56 | 50320BZ56 | 50324DE56 | 50305BU | 50326BK |
| MFC7407A-U03-B64 | 50318AN64 | | 50324DE64 | | |
| MFC7605A-U03-B56 | 50318AN56 | | 50324DE56 | | |
| MFC7605A-U03-B64 | 50318AN64 | | 50324DE64 | | |



SEWING PARTS
FOR U06

| Ref. No. | Part No. | Description | Amt. Req. |
|-------------|-------------|--|--------------|
| 1. | ----- | Needle Head, for three needle machines (see chart) | 1 |
| 2. | SS6066440TP | Screw | 1 |
| 3. | 50318AE40 | Eyelet, for 4.8 gauges | 1 |
| - | 50318AE56 | Eyelet, for 5.6, 6.4 gauges | 1 |
| 4. | SS8080310TP | Set Screw | 4 |
| 5. | 50392G | Needle Thread Eyelet | 1 |
| 6. | 99293 | Screw, for feed dogs | 2 |
| 7. | ----- | Main Feed Dog, (see chart) | 1 |
| 8. | ----- | Differential Feed Dog, (see chart) | 1 |
| 9. | 87 | Screw, for throat plate | 2 |
| 10. | ----- | Throat Plate, (see chart) | 1 |
| 11. | ----- | Presser Foot, for sewing comb., (see chart) | 1 |
| 12. | SS6090810TP | Screw | 1 |
| 13. | 50330EY | Presser Foot Shank | 1 |
| 14. | 50330FB | Spring | 2 |
| 15. | 50330FE | Roll Pin | 1 |
| 16. | 50330FD | Pin | 1 |
| 17. | 50330GB | Yielding Section | 2 |
| 18. | 50330GD48 | Presser Foot Bottom for 4.8 gauge | 1 |
| - | 50330GD56 | Presser Foot Bottom for 5.6, 6.4 gauge | 1 |
| 19. | 50330GA | Cloth Guide | 1 |
| 20. | 18C1478 | Screw | 1 |
| 21. | 50330FF | Spring | 1 |

| MODEL | NEEDLE HEAD | PRESSER FOOT ASSEMBLY | THROAT PLATE | FEED DOG MAIN | FEED DOG DIFFERENTIAL |
|----------------------|-------------|-----------------------|--------------|---------------|-----------------------|
| MFC7406A-U06-C48 | 50318AN48 | 50320CD48 | 50324DK48 | 50305BV | 50326BN |
| MFC7407A-U06-B56 | 50318AN56 | 50320CD56 | 50324DF56 | | |
| MFC7407A-U06-B64 | 50318AN64 | | 50324DF64 | 50305CC | 50326BX |
| MFC7602A-U06-C48 | 50318AN48 | 50320CD48 | 50324DK48 | 50305BV | 50326BN |
| MFC7605A-U06-B56 | 50318AN56 | 50320CD56 | 50324DF56 | | |
| MFC7605A-U06-B64 | 50318AN64 | | 50324DF64 | 50305CC | 50326BX |
| MFC7602A-U06-C48/PL1 | 50318AN48 | 50320CD48 | 50324DK48 | 50305BV | 50326BN |
| MFC7605A-U06-B56/PL1 | 50318AN56 | 50320CD56 | 50324DF56 | | |
| MFC7605A-U06-B64/PL1 | 50318AN64 | | 50324DF64 | | |

NUMERICAL INDEX OF PARTS

| <u>Part No.</u> | <u>Page No.</u> | <u>Part No.</u> | <u>Page No.</u> | <u>Part No.</u> | <u>Page No.</u> | <u>Part No.</u> | <u>Page No.</u> |
|-----------------|-----------------|-----------------|-----------------|-----------------|-----------------|-----------------|-----------------|
| 11071602 | 21 | 22807 | 59 | 29480AWY | 65 | 34380 | 37 |
| 11071701 | 21 | 22811B | 29 | 29480AYJ | 17 | 34380B | 55 |
| 11550209 | 19 | 22829 | 9 | 29480AZV | 63 | 34380C | 55 |
| 11638M | 57 | 22836 | 47 | 29480BBS | 65 | 34380E | 45 |
| 11969557 | 61 | 22852G | 65 | 29480BCV | 45 | 34380T | 37 |
| 12124202 | 17 | 22874C | 33 | 29924LA | 59 | 34381A | 37 |
| 12288403 | 61 | 22874F | 49 | 29924M | 49 | 34381B | 37 |
| 1266001 | 49 | 22875N | 19 | 31130A | 81 | 34382EA | 41 |
| 12865 | 49 | 22882 | 65 | 31130RA | 81 | 34382H | 33 |
| 128GBS075/029 | 61 | 22892C | 57 | 33688 | 59 | 34382J | 41 |
| 18 | 47 | 22894AD | 9, 31 | 34306D | 35 | 34382UA | 37, 39 |
| 18-1470 | 27 | 22894AD | 35, 55 | 34321CC | 61 | 34382V | 37, 39 |
| 1801476 | 83 | 22894AD | 9, 31 | 34334A | 35 | 34382W | 37, 39 |
| 18C1471 | 17 | 22894AD | 35, 55 | 34334S | 33 | 34390 | 9 |
| 18C1475 | 69, 71 | 22894BD | 9, 35 | 34335 | 35 | 34393D | 27 |
| 18C1475 | 73 | 22894BG | 49 | 34335A | 35 | 34393L | 27 |
| 18C1476 | 83 | 22894C | 29, 59 | 34335D | 35 | 34393M | 27 |
| 18C1478 | 85 | 22894C | 65 | 34335G | 33 | 34394A | 9 |
| 18C1479 | 71, 73 | 22894T | 31 | 34335H | 35 | 34394B | 9 |
| 20 | 65 | 22894W | 29, 35 | 34335J | 33, 35 | 34395 | 61 |
| 21657E | 47 | 22894X | 29, 33 | 34336A | 33 | 34642A | 29 |
| 2165D-0.2 | 37, 39 | 22894X | 35, 47 | 34336B | 9 | 34682C | 27 |
| 22503F | 33 | 22894Y | 59 | 34336C | 9 | 34703A | 37 |
| 22517 | 55 | 23432B | 65 | 34336D | 9 | 34703B | 37 |
| 22528 | 49, 59 | 258A | 27 | 34336E | 9 | 34703CA | 37 |
| 22541B | 29, 37 | 25CC | 59 | 34336N | 33 | 34703F1 | 43 |
| 22541B | 39 | 25S | 39, 43, 45 | 34336P | 35, 59 | 34703F3 | 43, 45 |
| 22548 | 41, 43 | 28604R | 61 | 34336Q | 33 | 34703FA1 | 43 |
| 22548 | 45, 83 | 28B | 35 | 34336RA | 33 | 34703FA1 | 45 |
| 22561 | 39 | 29105BK | 29 | 34336S | 33 | 34703W2.3 | 75 |
| 22562 | 21 | 29126FW | 15 | 34336U | 33 | 34703W4.3 | 75 |
| 22562A | 33 | 29475CG | 17 | 34336V | 33 | 34703X | 45 |
| 22562B | 37, 39 | 29476SA | 43 | 34337 | 35 | 34703Z | 43 |
| 22562B | 63 | 29476SH | 33 | 34337A | 35 | 34703ZA | 43 |
| 22565C | 9, 49 | 29476SJ | 35 | 34337B | 35 | 34703ZB | 43 |
| 22569AH | 41 | 29476SP | 53 | 34337CA | 35 | 34709D | 29 |
| 22569B | 25 | 29476SS | 57 | 34337F | 33 | 34730A | 77 |
| 22569C | 43 | 29476SW | 55 | 34338 | 33 | 34730AT | 79 |
| 22569G | 35 | 29476TA | 43 | 34338B | 33 | 34731 | 47 |
| 22570B | 47 | 29476TC | 11 | 34340A | 33 | 34731B | 47 |
| 22571E | 27 | 29476TH | 11 | 34342F | 9 | 34731C | 47 |
| 22571F | 9 | 29476TJ | 27 | 34342G | 9 | 34731D | 47 |
| 22580 | 31 | 29476TK | 21 | 34342J | 29 | 34734 | 49 |
| 22585C | 43, 47 | 29476TP | 35 | 34343C | 29 | 34738A | 49 |
| 22585C | 55 | 29476TR | 27 | 34344A | 29 | 34739A | 49 |
| 22585R | 49 | 29476TS | 27 | 34344D | 29 | 34739L | 59 |
| 22596 | 59 | 29476TT | 21 | 34344E | 29 | 34739N | 49 |
| 22652A12 | 29 | 29476TU | 37 | 34353 | 33 | 34749B | 49 |
| 22715A | 43 | 29476TV | 37 | 34353A | 33 | 34749EL | 59 |
| 22716 | 77, 79 | 29476UA | 31 | 34358BA | 31 | 34750A | 49 |
| 22716A | 75, 79 | 29476UN | 39 | 34358CA | 31 | 34750EA | 49 |
| 22716A | 83 | 29476UV | 57 | 34358F | 17 | 34763B | 49 |
| 22728 | 65 | 29476UX | 51 | 34363 | 35 | 34763BA | 49 |
| 22729 | 49 | 29476VK | 29 | 34363A | 35 | 34763C | 49 |
| 22729AB | 49 | 29476VL | 27 | 34363B | 35 | 34764DA | 45 |
| 22729ABA | 59 | 29476VR | 45 | 34363C | 35 | 34764E | 65 |
| 22730 | 43, 45 | 29476VS | 45 | 34366 | 31 | 34764F | 65 |
| 22738B | 33 | 29476XT | 35 | 34367 | 37, 39 | 34767 | 55 |
| 22743 | 31 | 29476XU | 55 | 34367 | 45 | 34767K | 43 |
| 22746 | 37, 39 | 29476YY | 39 | 34367A | 37 | 34770H | 49 |
| 22757E | 43 | 29480ARN | 39 | 34367B | 37, 39 | 34771A | 49 |
| 22766 | 43, 45 | 29480ASU | 39 | 34367B | 45 | 34771AA | 49 |
| 22768 | 79 | 29480AWK | 59 | 34368 | 31 | 34771B | 49 |

NUMERICAL INDEX OF PARTS

| <u>Part No.</u> | <u>Page No.</u> | <u>Part No.</u> | <u>Page No.</u> | <u>Part No.</u> | <u>Page No.</u> | <u>Part No.</u> | <u>Page No.</u> |
|-----------------|-----------------|-----------------|-----------------|-----------------|-----------------|-----------------|-----------------|
| 34771C | 49 | 50302 | 39 | 50330FM56 | 73 | 50347E | 9 |
| 34771D | 49 | 50302A | 41 | 50330FN | 69, 71 | 50347F | 9 |
| 34771E | 49 | 50302D | 41 | 50330FN | 73 | 50347G | 15 |
| 34771F | 49 | 50302F | 45 | 50330FP | 69, 71 | 50347J | 15 |
| 34771G | 49 | 50304M | 31 | 50330FP | 73 | 50347L | 9 |
| 34771H | 49 | 50311C | 25 | 50330FR | 69, 71 | 50347T | 35 |
| 34771J | 49 | 50313T | 29 | 50330FR | 73 | 50348 | 29 |
| 34771K | 49 | 50314G | 29 | 50330FS | 69, 71 | 50351A | 11 |
| 34771L | 49 | 50317B | 11 | 50330FS | 73 | 50352 | 11 |
| 34771PA | 49 | 50317C | 23 | 50330FV | 69 | 50354F | 11 |
| 34771SL | 59 | 50318AE40 | 69, 73 | 50330FW | 69 | 50354G | 11 |
| 34771TL | 59 | 50318AE40 | 75, 77 | 50330FX | 79 | 50354H | 9 |
| 34771UL | 59 | 50318AE40 | 79, 81 | 50330FZ | 65 | 50354J | 9 |
| 34771VL | 59 | 50318AE40 | 85 | 50330GA | 85 | 50355AM | 11 |
| 34774 | 57 | 50318AE56 | 69, 71 | 50330GB | 85 | 50355AN | 11 |
| 34776B | 55 | 50318AE56 | 73, 75 | 50330GD48 | 85 | 50355AR | 21 |
| 34776F | 55 | 50318AE56 | 77, 79 | 50330GD56 | 85 | 50355AS | 57 |
| 34778A | 57 | 50318AE56 | 81, 83 | 50330GH | 71, 73 | 50357AG | 31 |
| 34778C | 57 | 50318AE56 | 85 | 50330GN | 71, 73 | 50357AH | 31 |
| 34778GD | 39 | 50321J | 25 | 50330GR | 71, 73 | 50357AJ | 31 |
| 34778GF | 39 | 50321M | 13 | 50332S | 27 | 50357AK | 31 |
| 34779 | 49 | 50322AF | 13 | 50332U | 9 | 50357AP | 21 |
| 34780 | 39 | 50322AH | 25 | 50332V | 21 | 50357AR | 17 |
| 34780CA | 37 | 50322AN | 25 | 50333H | 31 | 50357AS | 17 |
| 34780CB | 37 | 50322AZ | 9 | 50333P | 21 | 50357AT | 17 |
| 34780M | 39 | 50322BA | 65 | 50335AF | 21 | 50357AV | 17 |
| 34782C | 41 | 50322BB | 13 | 50335AG | 21 | 50357AW | 17 |
| 34783N | 47 | 50322BF | 33 | 50335AH | 21 | 50357AX | 17 |
| 34785 | 49 | 50322BG | 25 | 50335AP | 25 | 50357Y | 17 |
| 34785L | 59 | 50322BH | 49 | 50335AW | 15 | 50358U | 17 |
| 34786B | 39 | 50322L | 65 | 50335BC | 25 | 50358V | 17 |
| 34786C | 39 | 50323P | 11 | 50335BD | 13 | 50358W | 17 |
| 34786D | 39 | 50323S | 31 | 50335BE | 29 | 50358X | 11 |
| 34786G | 47 | 50325AB | 31 | 50337AF | 45 | 50360 | 15 |
| 34786GA | 47 | 50325AL | 31 | 50337AM | 51 | 50360B | 15 |
| 34786GB | 47 | 50325AM | 31 | 50337AP | 35 | 50360F | 15 |
| 34786GC | 47 | 50325AN | 31 | 50337AR | 83 | 50360G | 15 |
| 34786GE | 47 | 50326BH | 83 | 50337AS | 83 | 50360H | 15 |
| 34786GF | 47 | 50326BJ | 83 | 50337AT | 45 | 50363CK | 17 |
| 34786GG | 47 | 50330BH40 | 77 | 50337AU | 45 | 50364A | 65 |
| 34893 | 29 | 50330BH64 | 77 | 50337AV | 83 | 50364AD | 45 |
| 35082E | 41 | 50330BK | 65 | 50337BE | 47 | 50364R | 43 |
| 35082F | 41 | 50330BL16 | 75 | 50342AY | 13 | 50364S | 39, 43 |
| 35733G | 51 | 50330CZ | 9 | 50342BD | 25 | 50364S | 45 |
| 36271A | 17 | 50330DU64 | 79 | 50342BH | 25 | 50364VB | 43 |
| 376 | 39 | 50330EJ | 83 | 50343B | 29 | 50364X | 39 |
| 39531A | 47 | 50330EK | 83 | 50343C | 29 | 50364Y | 39 |
| 39531B | 47 | 50330EL | 83 | 50343RC | 29 | 50364Z | 43 |
| 39536C | 33 | 50330EM | 83 | 50344AG | 29 | 50366 | 17 |
| 39543E | 29 | 50330EN | 83 | 50344AP | 53 | 50366A | 17 |
| 39568J | 77, 79 | 50330EP | 83 | 50344AR | 25 | 50366B | 17 |
| 41350X | 27 | 50330ET | 83 | 50344AT | 51 | 50366G | 17 |
| 421D42 | 61 | 50330EY | 85 | 50344AV | 9 | 50366J | 17 |
| 43281K | 43 | 50330FB | 85 | 50344BK | 9 | 50366L | 17 |
| 4611U | 59 | 50330FD | 85 | 50344BL | 9 | 50367S | 35 |
| 482C | 65 | 50330FE | 85 | 50344BM | 29 | 50367T | 35 |
| 50301BK | 43 | 50330FF | 85 | 50344BN | 9 | 50370F | 17 |
| 50301BW | 39 | 50330FL56 | 69 | 50344BP | 9 | 50370J | 59 |
| 50301BX | 43 | 50330FM40 | 69, 71 | 50344BU | 9 | 50372A | 59 |
| 50301CP | 41 | 50330FM40 | 73 | 50345W | 11 | 50372B | 59 |
| 50301CU | 45 | 50330FM48 | 69, 71 | 50346 | 17 | 50375V | 57 |
| 50301CV | 45 | 50330FM48 | 73 | 50346A | 15 | 50375Y | 57 |
| 50301CW | 45 | 50330FM56 | 69, 71 | 50347C | 15 | | |

NUMERICAL INDEX OF PARTS

| <u>Part No.</u> | <u>Page No.</u> | <u>Part No.</u> | <u>Page No.</u> | <u>Part No.</u> | <u>Page No.</u> | <u>Part No.</u> | <u>Page No.</u> |
|-----------------|-----------------|-----------------|-----------------|-----------------|-----------------|-----------------|-----------------|
| 50377AA | 53 | 50386L | 33 | 50395U | 43 | 69H | 37, 39 |
| 50377AB | 53 | 50386M | 33 | 50396G | 37, 39 | 77A | 31 |
| 50377AC | 57 | 50389 | 39 | 50396L | 59 | 77B | 33 |
| 50377AD | 57 | 50389A | 39 | 50397A16 | 75 | 77F | 45 |
| 50377AE | 57 | 50390L | 25 | 50397A48 | 75 | 77K | 47 |
| 50377AF | 51 | 50391 | 13 | 50397B16 | 83 | 77L | 45, 49, 73 |
| 50377AK | 57 | 50391A | 13 | 50397C | 75, 79 | 79 | 37 |
| 50377AM | 51 | 50392AB | 9 | 50692G | 19 | 79633 | 75 |
| 50377AR | 51 | 50392AU | 17 | 51235G | 29 | 80265 | 39, 63 |
| 50377AT | 55 | 50392AV | 19 | 51280J | 49 | 8372A | 45 |
| 50377C | 51 | 50392AW | 17 | 51295B | 61 | 87 | 41, 71, 73 |
| 50377D | 51 | 50392AX | 17 | 53678N | 15 | 87 | 75, 77, 79 |
| 50377E | 53 | 50392AY | 17 | 56382D | 41 | 87 | 81, 83, 85 |
| 50377F | 53 | 50392AZ | 17 | 56390E | 25 | 87U | 17 |
| 50377G | 51 | 50392BC | 19 | 56390H | 29 | 88 | 49 |
| 50377H | 57 | 50392BD | 65 | 56392G | 19 | 88B | 47 |
| 50377J | 53 | 50392BE | 65 | 56392H | 19 | 89 | 49 |
| 50377L | 51 | 50392C | 65 | 56392M | 19 | 90 | 33, 37, 39 |
| 50377M | 51 | 50392G | 69, 71 | 56392R | 19 | 90561K | 65 |
| 50377P | 53 | 50392G | 73, 75 | 57830A | 75 | 907 | 65 |
| 50377S | 53 | 50392G | 77, 79 | 57844 | 17 | 91 | 37, 75, 77, 81 |
| 50377T | 51 | 50392G | 81, 83 | 57865 | 19 | 93 | 33, 49 |
| 50377U | 53 | 50392G | 85 | 57892K | 19 | 93A | 47 |
| 50377VA | 51 | 50392S | 17 | 59477 | 51 | 95 | 39, 43, 45 |
| 50377Z | 53 | 50392T | 17 | 6-25-55 | 75, 81 | 95169 | 45 |
| 50378AD | 57 | 50392W | 19 | 604 | 47 | 95205 | 61 |
| 50378Z | 65 | 50392X | 19 | 6042A | 31 | 95406 | 27 |
| 50381 | 21 | 50392Y | 19 | 605 | 75 | 95412 | 59 |
| 50381B | 21 | 50392Z | 19 | 605A | 17 | 95685 | 37, 39 |
| 50381E | 9 | 50393EU | 23, 37 | 605C | 37, 81 | 95685 | 45 |
| 50381F | 21 | 50393EW | 23 | 605D | 37 | 95951 | 47 |
| 50381G | 21 | 50393EX | 27 | 61330B41 | 77 | 95953 | 27 |
| 50381L | 39 | 50393EZ | 9 | 61330B42 | 79 | 96162A | 25 |
| 50382FU | 37 | 50393FD | 27 | 61351C | 15 | 96162B | 15 |
| 50382FV | 37 | 50393FE | 27 | 652C16 | 17 | 96275 | 47 |
| 50382FW | 23 | 50393FF | 27 | 660-1014 | 21 | 96276 | 27 |
| 50382FX | 23 | 50393FG | 27 | 660-1043 | 13 | 96277 | 37, 39 |
| 50382FY | 23 | 50393FH | 27 | 660-1089 | 53 | 96277 | 45 |
| 50382FZ | 23 | 50393FK | 27 | 660-1108 | 45 | 96278 | 57 |
| 50382GA | 23 | 50393GB | 27 | 660-210 | 49 | 96529 | 49, 51 |
| 50382GB | 23 | 50393GD | 27 | 660-212 | 23, 27 | 96530 | 49 |
| 50382GM | 23 | 50393GF | 9 | 660-212 | 39, 51 | 96651 | 77, 79 |
| 50382GR | 43 | 50393GT | 27 | 660-264 | 61 | 96663 | 33 |
| 50382GS | 27 | 50393GU | 27 | 660-283A | 19 | 96667 | 33 |
| 50382GV | 37 | 50393GW | 63 | 660-303 | 53 | 96719 | 35 |
| 50382HU | 39 | 50393HB | 23 | 660-739 | 15, 21 | 96722 | 49 |
| 50382HX | 41 | 50393HE | 27 | 660-893 | 53 | 96841 | 9 |
| 50382JA | 39 | 50393HH | 17 | 661-149 | 57 | 96865 | 35 |
| 50382JU | 59 | 50393HN | 27 | 661-252 | 29 | 97005D | 59 |
| 50382JV | 45 | 50393HS | 11 | 661-253 | 29 | 97014 | 37, 39 |
| 50382KD | 63 | 50393HV | 27 | 661-259B | 11 | 97014 | 45 |
| 50383AD | 23 | 50393JP | 11 | 661-261 | 13, 25 | 97015 | 49 |
| 50383AE | 23 | 50393JW | 11 | 661-261 | 57 | 97016 | 49 |
| 50383AX | 45 | 50393JY | 11 | 661-262 | 13 | 97113 | 47 |
| 50383AY | 45 | 50393JZ | 11 | 661-348 | 25 | 97127 | 39, 43 |
| 50383BW | 45 | 50393KV | 27 | 666-149 | 35, 49 | 97127 | 45 |
| 50383Y | 35 | 50393KW | 9 | 666-149 | 59 | 97137 | 33 |
| 50384F | 37, 39 | 50393KZ | 63 | 666-197 | 63 | 98A | 17, 59 |
| 50384L | 23, 53 | 50393LA | 27 | 666-329 | 11 | 99293 | 69, 71, 73 |
| 50386 | 53 | 50394AF | 11 | 666-330 | 19 | 99293 | 75, 77, 79 |
| 50386B | 57 | 50395J | 43 | 671B115 | 59 | 99293 | 81, 83, 85 |
| 50386E | 55 | 50395T | 35 | 671C23 | 39 | 99301A | 39, 43 |

NUMERICAL INDEX OF PARTS

| <u>Part No.</u> | <u>Page No.</u> | <u>Part No.</u> | <u>Page No.</u> | <u>Part No.</u> | <u>Page No.</u> | <u>Part No.</u> | <u>Page No.</u> |
|-----------------|-----------------|-----------------|-----------------|-----------------|-----------------|-----------------|-----------------|
| 99301A | 45 | G50-748D | 39 | SS1110640SL | 23 | SS7111120TP | 59 |
| 99343 | 29 | G51054 | 35, 49 | SS1121010SP | 17 | SS7112420SP | 51 |
| 99346 | 29 | G51347A | 49 | SS2090620SP | 53 | SS7120640SP | 17 |
| 99349 | 27 | G52897A16 | 79 | SS4080310SP | 45 | SS7120640SP | 23 |
| 99350 | 39, 43 | G57730GB | 77 | SS4080620TP | 11 | SS7120710SP | 17 |
| 99350 | 45 | G57730GC | 77, 79 | SS4080620TP | 31 | SS7120710SP | 27 |
| 99351 | 39, 43 | G57730GD | 77, 79 | SS4090515SP | 43 | SS7121410TP | 15 |
| 99351 | 45 | G65-134 | 75 | SS4090815SP | 17 | SS7121410TP | 19 |
| 99352 | 9 | G65-90 | 81 | SS4120615SP | 17 | SS7121610SP | 53 |
| 99356 | 39, 43 | GA29477AP | 33 | SS4120615SP | 23 | SS7660520SP | 13 |
| 99356 | 45 | HA20A | 65 | SS4120615SP | 41 | SS7681410TP | 13 |
| 99364L | 37, 39 | HA20B | 29 | SS4120915SP | 17 | SS8080310SP | 69 |
| 99364L | 45 | HT2C | 75 | SS4120915SP | 19 | SS8080310SP | 71 |
| 99369 | 49 | J79J | 37 | SS4120915SP | 23 | SS8080310SP | 73 |
| 9937 | 29, 33, 39 | J87J | 49 | SS4121215SP | 23 | SS8080310TP | 77 |
| 9937 | 43, 45, 59 | LA451 | 23 | SS4121615SP | 23 | SS8080310TP | 79 |
| 99370 | 49 | MAL01110000 | 65 | SS5060410SP | 21 | SS8080310TP | 81 |
| 99391 | 47 | NM6030001SD | 69 | SS5060410SP | 75 | SS8080310TP | 83 |
| 99392 | 39 | NM6030001SD | 71 | SS5060410SP | 77 | SS8080310TP | 85 |
| 99652A | 29 | NM6030001SD | 73 | SS5060410TP | 69 | SS8080410TP | 17 |
| 99658 | 25 | NM6030250SC | 83 | SS5060410TP | 71 | SS8090540SP | 31 |
| 99675QA-400 | 39 | NS6110310SP | 51 | SS5060410TP | 73 | SS8110422TP | 11 |
| 99682XC | 23 | NS6110420SP | 19 | SS6060440TP | 75 | SS8110422TP | 15 |
| 99682XCB | 23 | NS6120480SP | 53 | SS6066440TP | 79 | SS8110422TP | 21 |
| 99697J | 37, 39 | NS6150310SP | 21 | SS6066440TP | 81 | SS8110422TP | 35 |
| 999-211 | 9 | NS6620320SP | 23 | SS6066440TP | 83 | SS8110422TP | 53 |
| 999-211B | 9 | NS6680410SP | 15 | SS6066440TP | 85 | SS8110422TP | 57 |
| 999-211E | 35 | PH0200063C0 | 69 | SS6090420SP | 37 | SS8120410SP | 51 |
| 999-212-035 | 9 | PH0200063C0 | 71 | SS6090440SP | 11 | SS8150710SP | 51 |
| 999-215 | 35 | PH0200063C0 | 73 | SS6090440SP | 31 | SS8150822TP | 35 |
| 999-254J | 27 | PH0200102C0 | 83 | SS6090540SP | 45 | SS8151150SP | 51 |
| 999-30 | 47 | PH0300164C0 | 69 | SS6090560TP | 29 | SS8151150SP | 57 |
| 999-90B | 47 | PH0300164C0 | 71 | SS6090620SP | 11 | SS8660512TP | 15 |
| B1528804000A | 21 | PH0300164C0 | 73 | SS6090810TP | 85 | SS8660512TP | 29 |
| B3103804000 | 19 | PH0400104U0 | 35 | SS6091022TP | 29 | SS8660612TP | 9 |
| B3112704000 | 19 | PS0400142KH | 9 | SS6110610TP | 21 | SS8660612TP | 13 |
| B3120352000 | 19 | RC0980615K0 | 35 | SS6121010SP | 11 | SS8660612TP | 15 |
| B3120704000 | 19 | RE0500000K0 | 21 | SS6121010SP | 21 | SS8660612TP | 25 |
| B3121804000 | 19 | RE0900000K0 | 31 | SS6121010SP | 35 | SS8660612TP | 27 |
| B3126012000 | 19 | RO037180100 | 9 | SS6121220TP | 51 | SS8660612TP | 35 |
| B3215470000 | 35 | RO068190100 | 21 | SS6122030SP | 53 | SS8660612TP | 53 |
| B3530555000 | 23 | RO068190100 | 51 | SS6151220SP | 57 | SS8661012TP | 13 |
| B9214850000 | 61 | SD0380551SL | 17 | SS6151440SP | 51 | SS8681412TP | 13 |
| C50044E | 17 | SD0640323TP | 23 | SS6151920SP | 21 | SS8701042TP | 53 |
| C50056B | 21 | SD0790303SP | 21 | SS6153040SP | 21 | SS9090640SP | 15 |
| C50063N | 37, 39 | SD1000801SH | 15 | SS7060310SP | 17 | SS9090640SP | 45 |
| C50077K | 57 | SM1020450TP | 83 | SS7060310SP | 31 | SS9111010SP | 57 |
| C50094B | 27 | SM4030455SP | 69 | SS7080510TP | 15 | SS9151740CP | 21 |
| CE27 | 11 | SM4030455SP | 71 | SS7080510TP | 17 | TA1050504R0 | 23 |
| CE59 | 11 | SM4030455SP | 73 | SS7080520SP | 11 | TA1100604R0 | 23 |
| CE63 | 11 | SM4040655SP | 43 | SS7080520SP | 31 | TA1100604R0 | 43 |
| CE66 | 21 | SM6030350SD | 69 | SS7080520SP | 83 | TA1100604R0 | 45 |
| CO67B | 49 | SM6050810SC | 45 | SS7090520SP | 19 | TA1450404R0 | 53 |
| CO67D | 29 | SM7040800SL | 69 | SS7090530SP | 59 | WPO320501SC | 31 |
| CQ200000000 | 63 | SM7040800SL | 71 | SS7090610SP | 17 | WPO501046SC | 53 |
| CQ25220000 | 11 | SM7040800SL | 73 | SS7090910TP | 17 | WPO651001SC | 45 |
| G11940 | 81 | SM7040800SL | 79 | SS7110410SP | 17 | WPO742016SP | 15 |
| G21201 | 61 | SM7040800SL | 83 | SS7110410SP | 57 | WS0371026SD | 17 |
| G29105F | 29 | SM8030382TP | 83 | SS7110510SP | 65 | WS0510002KP | 17 |
| G29476BV | 33 | SM8030500SP | 69 | SS7110910TP | 15 | WS0510002KP | 57 |
| G50-266 | 75 | SM8030500SP | 71 | SS7111120TP | 11 | WZ0641510KP | 23 |
| G50-403 | 65 | SM8030500SP | 73 | SS7111120TP | 13 | | |

Union Special Corporation
Corporate Office
One Union Special Plaza
Huntley, IL 60142
Phone: 847•669•5101
Fax: 847•669•4454

Union Special GmbH
European Distribution Center
Raiffeisenstrasse 3
D-71696 Möglingen, Germany
Tel: 49•07141•247•0
Fax: 49•07141•247•100

JUKI CORPORATION
INTERNATIONAL SALES DIVISION
8-2-1, KOKURYO - CHO,
CHOFU-SHI, TOKYO 182, JAPAN
PHONE: 03(3430)4001~5
FAX: 03(3430)4909 . 4914 . 4984



JUKI
Union Special